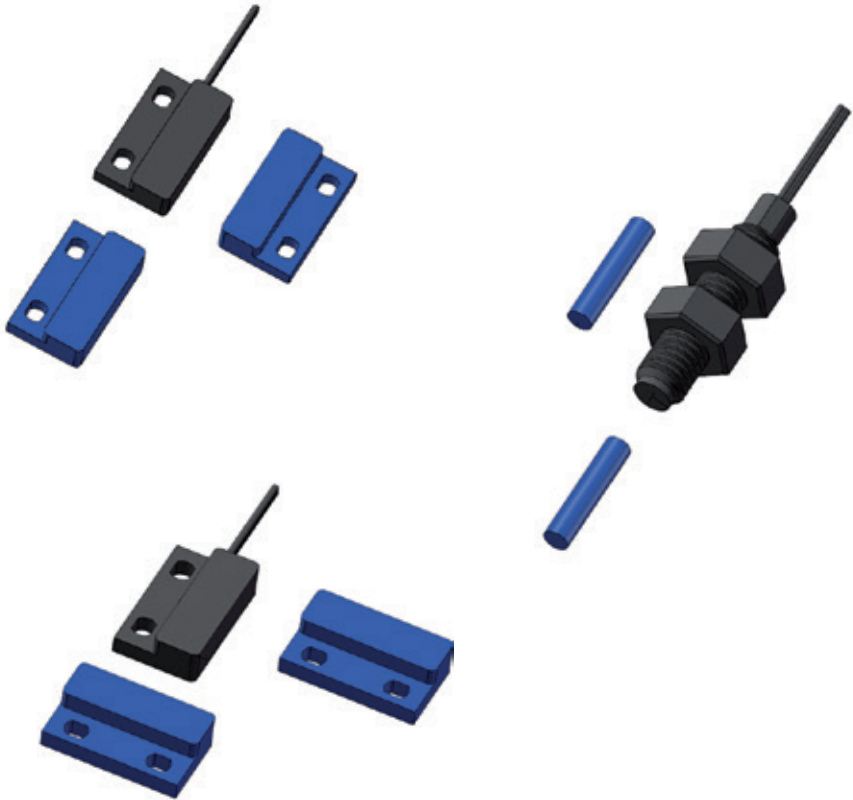
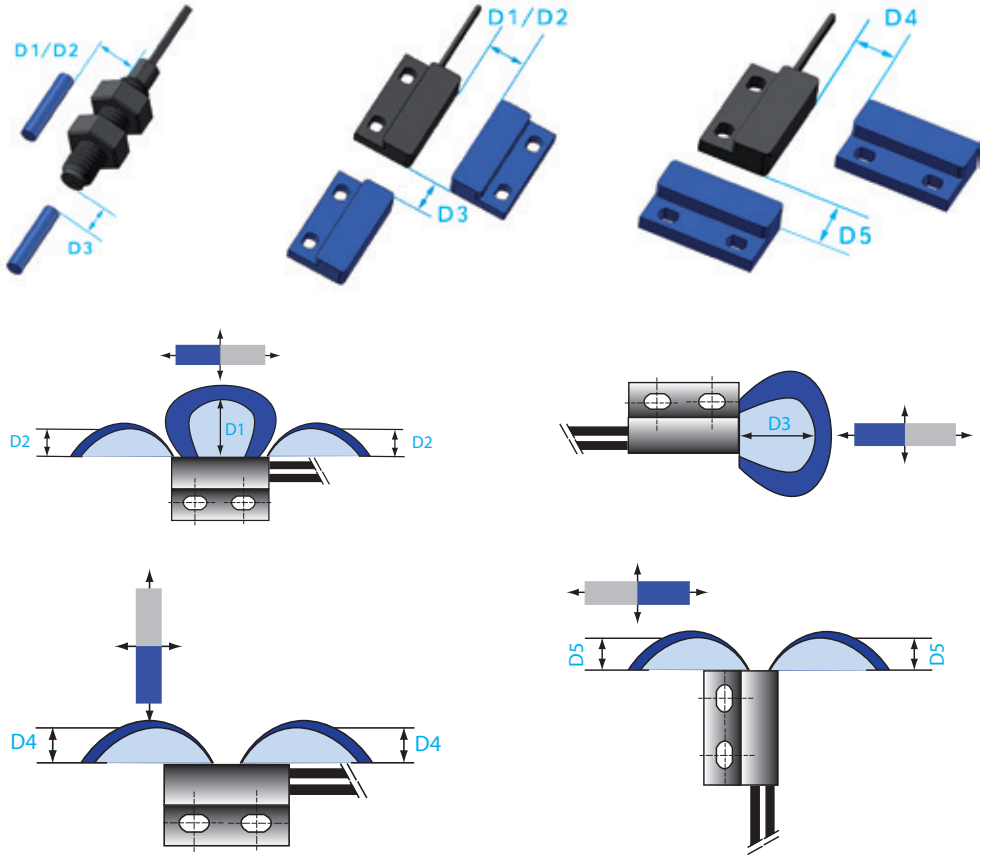


Activate Distance



Position and Movement



Note: All dimensions are in mm. Please refer to the product datasheets on our website for full dimensions, specifications, tolerances, etc. We reserve the right to make any changes according to technological progress or further developments. All product images are scaled.

TABLE OF CONTENTS

Page	Sensor	Page	Sensor
04	MK03	24	MK13
12	MK04	32	MK15
12	MK05	32	MK16
20	MK06	32	MK17
24	MK07	32	MK21
24	MK12		

Reed Switch Operational Characteristics

The Reed Switch was first invented by Bell Labs in the late 1930s. However, it was not until the 1940s when it began to find application widely as a sensor and a Reed Relay. Here it was used in an assortment of stepping/switching applications, early electronic equipment and test equipment. In the late 1940s Western Electric began using Reed Relays in their central office telephone switching stations, where they are still used in some areas today. The Reed Switch greatly contributed to the development of telecommunications technology. Over the years several manufacturers have come and gone, some staying longer than they should have, tainting the marketplace with poor quality, and poor reliability. However, most of the manufacturers of Reed Switches today produce very high quality and very reliable switches. This has given rise to unprecedented growth. Today Reed Switch technology is used in all market segments including: test and measurement equipment, medical electronics, Telecom, automotive, security, appliances, general purpose, etc. Its growth rate is stronger than ever, where the world output cannot stay abreast with demand. As a technology, the Reed Switch is unique. Being hermetically sealed, it can exist or be used in almost any environment. Very simple in its structure, it crosses many technologies in its manufacture. Critical to its quality and reliability is its glass to metal hermetic seal, where the glass and metal used must have exact linear thermal coefficients of expansion. Otherwise, cracking and poor seals will result. Whether sputtered or plated, the process of applying the contact material, usually Rhodium or Ruthenium, must be carried out precisely in ultra clean environments similar to semiconductor technology. Like semiconductors, any foreign particles present in the manufacture will give rise to losses, quality and reliability problems.

To meet our customer's needs, Standex-Meder decided to build up their own assembly line. Reed Switches are produced since 1968 in England and since 2001 in Germany.

Over the years, the Reed Switch has shrunk in size from approximately 50 mm (2 inches) to 3.9 mm (0.15 inches). These smaller sizes have opened up many more applications particularly in RF and fast time domain requirements.

Reed Switch Features:

1. Ability to switch up to 10,000 Volts
2. Ability to switch currents up to 5 Amps
3. Ability to switch or carry as low as 10 nano-Volts without signal loss
4. Ability to switch or carry as low as 1 femto-Amp without signal loss
5. Ability to switch or carry up to 7 GigaHz with minimal signal loss
6. Isolation across the contacts up to 1015 W
7. Contact resistance (on resistance) typical 50 milliOhms (mW)
8. In its off state it requires no power or circuitry
9. Ability to offer a latching feature
10. Operate time in the 100 ms to 300 ms range
11. Ability to operate over extreme temperature ranges from -55°C to $+200^{\circ}\text{C}$
12. Ability to operate in all types of environments including air, water, vacuum, oil, fuels, and dust laden atmospheres
13. Ability to withstand shocks up to 200 Gs
14. Ability to withstand vibration environments of 50 Hz to 2000 Hz at up to 30 g
15. Long life. With no wearing parts, load switching under 5 Volts at 10 mA, will operate well into the billions of operations
16. No power consumption, ideal for portable and battery-powered devices
17. No switching noise

MAGNET SmCo5 5 x 4mm

Magnetic moment: $7,2 \times 10e-6Vs \times cm$

Sensor	D1		D3		D4		D5	
	up	to	up	to	up	to	up	to
MK03Form-A 66-er	10.8	12.5	11.8	13.7	9.8	11.1	6.3	8.1
MK03Form-B 66-er	8.5	11.2	9.4	12.2	8.3	10.2	4.6	6.7
MK03Form-C 66-er	7.3	8.9	7.5	9.8	6.8	8.7	3.2	5
MK03Form-D 66-er	6.5	7.7	6.4	7.9	6.3	7.2	2.3	3.6
MK03Form-E 66-er	5.9	6.9	5.6	6.8	5.7	6.7	-	2.7
MK03Form-F 66-er	5.1	6.3	4.5	6	5	6.1	-	-
MK03Form-A GP501	9	10	9.9	11.2	8.7	9.7	6.1	8.4
MK03Form-B GP501	8.4	9.6	8.9	10.5	8	9.3	4.2	6.7
MK03Form-C GP501	7.9	9	7.9	9.5	7.4	8.6	3.1	4.8
MK03Form-D GP501	7.4	8.5	7.1	8.5	6.9	8	2.5	3.7
MK03Form-E GP501	6.9	8	6.4	7.7	6.4	7.5	2.1	3.1
MK03Form-F GP501	6.4	7.5	5.8	7	5.9	6.9	1.8	2.6
MK03-1A66A-X	8.15	11.55	11	12.9	7.15	10.15	5.5	7.3
MK03-1A66B-X	5.85	10.25	8.6	11.4	5.65	9.25	3.8	5.9
MK03-1A66C-X	4.65	7.95	6.7	9	4.15	7.75	2.4	4.2
MK03-1A66D-X	3.85	6.75	5.6	7.1	3.65	6.25	1.5	2.8
MK03-1A66E-X	3.25	5.95	4.8	6	3.05	5.75	-	1.9
MK03-1A66F-X	2.45	5.35	3.7	5.2	2.35	5.15	-	-
MK03-GP501A-X	6.35	9.05	9.1	10.4	6.05	8.75	5.3	7.6
MK03-GP501B-X	5.75	8.65	8.1	9.7	5.35	8.35	3.4	5.9
MK03-GP501C-X	5.25	8.05	7.1	8.7	4.75	7.65	2.3	4
MK03-GP501D-X	4.75	7.55	6.3	7.7	4.25	7.05	1.7	2.9
MK03-GP501E-X	4.25	7.05	5.6	6.9	3.75	6.55	1.3	2.3
MK03-GP501F-X	3.75	6.55	5	6.2	3.25	5.95	1	1.8

MAGNET NdFeB N45 4 x 19mm

Magnetic moment: 30,8 x 10e-6Vs x cm

Sensor	D1		D3		D4		D5	
	up	to	up	to	up	to	up	to
MK03Form-A 66-er	20.8	22.1	19.2	21	14.5	16	15.3	17,5
MK03Form-B 66-er	17.3	21.2	17.3	19.6	12.1	14.9	12	15,7
MK03Form-C 66-er	15	17.7	12.4	17.7	10.1	12.5	9.8	12,4
MK03Form-D 66-er	13.8	15.4	10.9	12.8	8.9	10.5	8.2	10,2
MK03Form-E 66-er	12.7	14.2	9.4	11.3	7.3	9.3	7.3	8,6
MK03Form-F 66-er	11.1	13.1	8	9.8	6.4	7.7	5.8	7,7
MK03Form-A GP501	18.3	19.7	15.9	17.5	12.7	13.9	12.6	14,1
MK03Form-B GP501	17.1	18.9	14.4	16.5	11.7	13.3	11.3	13,2
MK03Form-C GP501	16	17.7	13.1	15	10.8	12.3	10.2	11,9
MK03Form-D GP501	15	16.6	11.9	13.7	10	11.4	9.2	10,8
MK03Form-E GP501	14	15.6	10.8	12.3	9.2	10.6	8.3	9,8
MK03Form-F GP501	13.1	14.6	9.9	11.4	8.5	9.8	7.5	8,9
MK03-1A66A-X	18.15	21.15	18.4	20.2	11.85	15.05	14.5	16,7
MK03-1A66B-X	14.65	20.25	16.5	18.8	9.45	13.95	11.2	14,9
MK03-1A66C-X	12.35	16.75	11.6	16.9	7.45	11.55	9	11,6
MK03-1A66D-X	11.15	14.45	10.1	12	6.25	9.55	7.4	9,4
MK03-1A66E-X	10.05	13.25	8.6	10.5	4.65	8.35	6.5	7,8
MK03-1A66F-X	8.45	12.15	7.2	9	3.75	6.75	5	6,9
MK03-GP501A-X	15.65	18.75	15.1	16.7	10.05	12.95	11.8	13,3
MK03-GP501B-X	14.45	17.95	13.6	15.7	9.05	12.35	10.5	12,4
MK03-GP501C-X	13.35	16.75	12.3	14.2	8.15	11.35	9.4	11,1
MK03-GP501D-X	12.35	15.65	11.1	12.9	7.35	10.45	8.4	10
MK03-GP501E-X	11.35	14.65	10	11.5	6.55	9.65	7.5	9
MK03-GP501F-X	10.45	13.65	9.1	10.6	5.85	8.85	6.7	8,1

MAGNET NdFeB 10 x 5 x 1,9

Magnetic moment: 10,3 x 10e-6Vs x cm

Sensor	D1		D3		D4		D5	
	up	to	up	to	up	to	up	to
MK03Form-A 66-er	10.4	11.7	15.5	17.3	12.7	14	6.7	9.3
MK03Form-B 66-er	8.9	10.8	12.2	15.9	10.6	13.1	4.5	7.1
MK03Form-C 66-er	7.3	9.3	10.2	12.6	9.2	12	2.6	4.9
MK03Form-D 66-er	6.8	7.7	8.7	10.6	8.8	9.6	1.9	3
MK03Form-E 66-er	6	7.2	8	8.9	8.1	9.2	-	2.3
MK03Form-F 66-er	5.2	6.4	6.8	8.4	7.3	8.5	-	-
MK03Form-A GP501	9.2	10.2	12.8	14.2	11.5	12.6	6.5	10
MK03Form-B GP501	8.6	9.8	11.7	13.4	10.7	12	3.9	7.1
MK03Form-C GP501	8	9.2	10.7	12.3	10	11.3	2.6	4.5
MK03Form-D GP501	7.5	8.6	9.8	11.3	9.3	10.6	2.1	3.2
MK03Form-E GP501	7	8.1	9	10.4	8.7	9.9	-	2.7
MK03Form-F GP501	6.6	7.6	8.2	9.6	8.1	9.3	-	-
MK03-1A66A-X	7.75	10.75	14.7	16.5	10.05	13.05	5.9	8.5
MK03-1A66B-X	6.25	9.85	11.4	15.1	7.95	12.15	3.7	6.3
MK03-1A66C-X	4.65	8.35	9.4	11.8	6.55	11.05	1.8	4.1
MK03-1A66D-X	4.15	6.75	7.9	9.8	6.15	8.65	1.1	2.2
MK03-1A66E-X	3.35	6.25	7.2	8.1	5.45	8.25	-	1.5
MK03-1A66F-X	2.55	5.45	6	7.6	4.65	7.55	-	-
MK03-GP501A-X	6.55	9.25	12	13.4	8.85	11.65	5.7	9.2
MK03-GP501B-X	5.95	8.85	10.9	12.6	8.05	11.05	3.1	6.3
MK03-GP501C-X	5.35	8.25	9.9	11.5	7.35	10.35	1.8	3.7
MK03-GP501D-X	4.85	7.65	9	10.5	6.65	9.65	1.3	2.4
MK03-GP501E-X	4.35	7.15	8.2	9.6	6.05	8.95	-	1.9
MK03-GP501F-X	3.95	6.65	7.4	8.8	5.45	8.35	-	-

MAGNET HF 32/25 14,95 x 10 x 5

Magnetic moment: 28,8 x 10e-6Vs x cm

Sensor	D1		D3		D4		D5	
	up	to	up	to	up	to	up	to
MK03Form-A 66-er	18.8	20.6	21.8	24.1	17.9	19.4	11.8	13.2
MK03Form-B 66-er	15.6	19.2	17.6	22.2	15.1	18.3	9.4	12.2
MK03Form-C 66-er	13.4	16	15.4	18	13.2	15.5	7.2	9.8
MK03Form-D 66-er	12.3	13.8	13.6	15.8	12.2	13.6	6.2	7.6
MK03Form-E 66-er	11.3	12.7	12.3	14	11.4	12.6	5.1	6.6
MK03Form-F 66-er	10.1	11.7	10.6	12.7	10.1	11.8	4.4	5.5
MK03Form-A GP501	16.3	17.6	19.2	20.8	15.8	17	10.2	11.7
MK03Form-B GP501	15.2	16.9	17.7	19.8	14.7	16.4	8.8	10.8
MK03Form-C GP501	14.1	15.8	16.3	18.3	13.8	15.3	7.7	9.4
MK03Form-D GP501	13.2	14.7	15	16.9	12.9	14.4	6.7	8.3
MK03Form-E GP501	12.3	13.8	13.9	15.6	12.1	13.5	5.9	7.3
MK03Form-F GP501	11.4	12.9	12.8	14.5	11.3	12.7	5.3	6.5
MK03-1A66A-X	16.15	19.65	21	23.3	15.25	18.45	11	12.4
MK03-1A66B-X	12.95	18.25	16.8	21.4	12.45	17.35	8.6	11.4
MK03-1A66C-X	10.75	15.05	14.6	17.2	10.55	14.55	6.4	9
MK03-1A66D-X	9.65	12.85	12.8	15	9.55	12.65	5.4	6.8
MK03-1A66E-X	8.65	11.75	11.5	13.2	8.75	11.65	4.3	5.8
MK03-1A66F-X	7.45	10.75	9.8	11.9	7.45	10.85	3.6	4.7
MK03-GP501A-X	13.65	16.65	18.4	20	13.15	16.05	9.4	10.9
MK03-GP501B-X	12.55	15.95	16.9	19	12.05	15.45	8	10
MK03-GP501C-X	11.45	14.85	15.5	17.5	11.15	14.35	6.9	8.6
MK03-GP501D-X	10.55	13.75	14.2	16.1	10.25	13.45	5.9	7.5
MK03-GP501E-X	9.65	12.85	13.1	14.8	9.45	12.55	5.1	6.5
MK03-GP501F-X	8.75	11.95	12	13.7	8.65	11.75	4.5	5.7

MAGNET AINiCo500 5,5 x 22mm

Magnetic moment: 36,6 x 10e-6Vs x cm

Sensor	D1		D3		D4		D5	
	up	to	up	to	up	to	up	to
MK03Form-A 66-er	21	22.8	18	19.2	13.2	14.8	15	17.1
MK03Form-B 66-er	17.4	21.4	13.7	18.4	10.6	13.6	11.7	15.4
MK03Form-C 66-er	15.1	17.8	11.2	14.1	8.8	11	9.5	12.1
MK03Form-D 66-er	13.6	15.5	9.6	11.6	7.5	9.2	7.8	9.9
MK03Form-E 66-er	13	14	8.4	10	7.1	7.9	7	8.2
MK03Form-F 66-er	11.7	13.4	7.7	8.8	6.1	7.5	5.8	7.4
MK03Form-A GP501	18.4	19.9	14.9	16.5	11.3	12.6	12.4	13.9
MK03Form-B GP501	17.2	19	13.2	15.5	10.2	11.9	11	13
MK03Form-C GP501	16	17.8	11.8	13.8	9.3	10.8	9.8	11.6
MK03Form-D GP501	14.9	16.6	10.6	12.4	8.4	9.9	8.8	10.4
MK03Form-E GP501	13.8	15.5	9.5	11.2	7.7	9	7.9	9.4
MK03Form-F GP501	12.9	14.4	8.5	9.1	7	8.3	7.1	8.5
MK03-1A66A-X	18.35	21.85	17.2	18.4	10.55	13.85	14.2	16.3
MK03-1A66B-X	14.75	20.45	12.9	17.6	7.95	12.65	10.9	14.6
MK03-1A66C-X	12.45	16.85	10.4	13.3	6.15	10.05	8.7	11.3
MK03-1A66D-X	10.95	14.55	8.8	10.8	4.85	8.25	7	9.1
MK03-1A66E-X	10.35	13.05	7.6	9.2	4.45	6.95	6.2	7.4
MK03-1A66F-X	9.05	12.45	6.9	8	3.45	6.55	5	6.6
MK03-GP501A-X	15.75	18.95	14.1	15.7	8.65	11.65	11.6	13.1
MK03-GP501B-X	14.55	18.05	12.4	14.7	7.55	10.95	10.2	12.2
MK03-GP501C-X	13.35	16.85	11	13	6.65	9.85	9	10.8
MK03-GP501D-X	12.25	15.65	9.8	11.6	5.75	8.95	8	9.6
MK03-GP501E-X	11.15	14.55	8.7	10.4	5.05	8.05	7.1	8.6
MK03-GP501F-X	10.25	13.45	7.7	8.3	4.35	7.35	6.3	7.7

ROUND MAGNET AINiCo500 4,0 x 19mm

Magnetic moment: 14,8 x 10e-6Vs x cm

Sensor	D1		D3		D4		D5	
	up	to	up	to	up	to	up	to
MK03Form-A 66-er	14.6	16.2	11.5	14	8.8	10.7	9.2	11.1
MK03Form-B 66-er	11.8	15	8.6	11.9	7.1	9.2	7.2	9.6
MK03Form-C 66-er	10	12.2	6.3	9	5.3	7.5	5.3	7.6
MK03Form-D 66-er	9	10.4	5.3	6.7	4.7	5.7	4.2	5.7
MK03Form-E 66-er	8.2	9.4	4.3	5.7	4.1	5.1	3.3	4.6
MK03Form-F 66-er	7.3	8.6	3.4	4.7	2.9	4.5	2.5	3.7
MK03Form-A GP501	12.8	14	9.3	10.7	7.7	8.9	7.6	9.1
MK03Form-B GP501	11.8	13.4	8	9.9	6.8	8.3	6.4	8.2
MK03Form-C GP501	10.9	12.4	6.9	8.6	6	7.4	5.4	7
MK03Form-D GP501	10.1	11.5	6.1	7.5	5.3	6.6	4.6	6
MK03Form-E GP501	9.3	10.7	5.3	6.7	4.7	5.9	4	5.2
MK03Form-F GP501	8.6	9.9	4.7	5.9	4.2	5.3	3.5	4.6
MK03-1A66A-X	11.95	15.25	10.7	13.2	6.15	9.75	8.4	10.3
MK03-1A66B-X	9.15	14.05	7.8	11.1	4.45	8.25	6.4	8.8
MK03-1A66C-X	7.35	11.25	5.5	8.2	2.65	6.55	4.5	6.8
MK03-1A66D-X	6.35	9.45	4.5	5.9	2.05	4.75	3.4	4.9
MK03-1A66E-X	5.55	8.45	3.5	4.9	1.45	4.15	2.5	3.8
MK03-1A66F-X	4.65	7.65	2.6	3.9	0.25	3.55	1.7	2.9
MK03-GP501A-X	10.15	13.05	8.5	9.9	5.05	7.95	6.8	8.3
MK03-GP501B-X	9.15	12.45	7.2	9.1	4.15	7.35	5.6	7.4
MK03-GP501C-X	8.25	11.45	6.1	7.8	3.35	6.45	4.6	6.2
MK03-GP501D-X	7.45	10.55	5.3	6.7	2.65	5.65	3.8	5.2
MK03-GP501E-X	6.65	9.75	4.5	5.9	2.05	4.95	3.2	4.4
MK03-GP501F-X	5.95	8.95	3.9	5.1	1.55	4.35	2.7	3.8

ROUND MAGNET AINiCo500 3,7 x 22mm

Magnetic moment: 19,8 x 10e-6Vs x cm

Sensor	D1		D3		D4		D5	
	up	to	up	to	up	to	up	to
MK03Form-A 66-er	15.7	18.3	12.2	14.1	9.5	11.4	10.7	12.5
MK03Form-B 66-er	13	16.3	10.1	12.6	7	9.9	8.6	11.1
MK03Form-C 66-er	11.1	13.3	7.7	10.5	5.6	7.4	6.5	9
MK03Form-D 66-er	10.2	11.7	6.2	8.1	4.7	6	5.3	6.9
MK03Form-E 66-er	9.1	10.8	4.1	6.6	4.1	5.1	4.4	5.7
MK03Form-F 66-er	8	9.7	3.9	4.5	3.1	4.5	3.5	4.8
MK03Form-A GP501	14	15.2	11	12.6	8.3	9.5	9.1	10.5
MK03Form-B GP501	13	14.6	9.5	11.6	7.2	8.9	7.9	9.7
MK03Form-C GP501	12	13.6	8.3	10.1	6.4	7.8	6.9	8.5
MK03Form-D GP501	11.1	12.6	7.2	8.9	5.6	7	6	7.5
MK03Form-E GP501	10.3	11.7	6.4	7.8	4.9	6.2	5.3	6.6
MK03Form-F GP501	9.6	10.9	5.6	7	4.4	5.5	4.7	5.9
MK03-1A66A-X	13.05	17.35	11.4	13.3	6.85	10.45	9.9	11.7
MK03-1A66B-X	10.35	15.35	9.3	11.8	4.35	8.95	7.8	10.3
MK03-1A66C-X	8.45	12.35	6.9	9.7	2.95	6.45	5.7	8.2
MK03-1A66D-X	7.55	10.75	5.4	7.3	2.05	5.05	4.5	6.1
MK03-1A66E-X	6.45	9.85	3.3	5.8	1.45	4.15	3.6	4.9
MK03-1A66F-X	5.35	8.75	3.1	3.7	0.45	3.55	2.7	4
MK03-GP501A-X	11.35	14.25	10.2	11.8	5.65	8.55	8.3	9.7
MK03-GP501B-X	10.35	13.65	8.7	10.8	4.55	7.95	7.1	8.9
MK03-GP501C-X	9.35	12.65	7.5	9.3	3.75	6.85	6.1	7.7
MK03-GP501D-X	8.45	11.65	6.4	8.1	2.95	6.05	5.2	6.7
MK03-GP501E-X	7.65	10.75	5.6	7	2.25	5.25	4.5	5.8
MK03-GP501F-X	6.95	9.95	4.8	6.2	1.75	4.55	3.9	5.1

MAGNET NdFeB N35 4 x 2mm

Magnetic moment: 3,39 x 10e-6Vs x cm

Sensor	D1		D3		D4		D5	
	up	to	up	to	up	to	up	to
MK03Form-A 66-er	6.9	8.2	8.2	9.8	7	8.1	3.9	5.6
MK03Form-B 66-er	5.4	7.3	6.3	8.6	5.8	7.4	2.3	4.3
MK03Form-C 66-er	4.3	5.8	5	6.7	4.9	6.2	-	2.7
MK03Form-D 66-er	3.9	4.7	4.4	5.4	4.4	5.3	-	-
MK03Form-E 66-er	3.3	4.3	3.8	4.8	3.9	4.8	-	-
MK03Form-F 66-er	2.8	3.7	2.5	4.2	3.4	4.3	-	-
MK03Form-A GP501	5.8	6.7	6.6	7.9	6.4	7.6	4.2	7
MK03Form-B GP501	5.3	6.3	5.7	7.2	5.9	7	-	4.9
MK03Form-C GP501	4.9	5.9	4.9	6.3	5.4	6.5	-	-
MK03Form-D GP501	4.5	5.5	4.3	5.5	4.9	6	-	-
MK03Form-E GP501	4.2	5.1	3.8	4.9	4.5	5.5	-	-
MK03Form-F GP501	3.8	4.7	3.4	4.4	4.2	5.1	-	-
MK03-1A66A-X	4.25	7.25	7.4	9	4.35	7.15	3.1	4.8
MK03-1A66B-X	2.75	6.35	5.5	7.8	3.15	6.45	1.5	3.5
MK03-1A66C-X	1.65	4.85	4.2	5.9	2.25	5.25	-	1.9
MK03-1A66D-X	1.25	3.75	3.6	4.6	1.75	4.35	-	-
MK03-1A66E-X	0.65	3.35	3	4	1.25	3.85	-	-
MK03-1A66F-X	0.15	2.75	1.7	3.4	0.75	3.35	-	-
MK03-GP501A-X	3.15	5.75	5.8	7.1	3.75	6.65	3.4	6.2
MK03-GP501B-X	2.65	5.35	4.9	6.4	3.25	6.05	-	4.1
MK03-GP501C-X	2.25	4.95	4.1	5.5	2.75	5.55	-	-
MK03-GP501D-X	1.85	4.55	3.5	4.7	2.25	5.05	-	-
MK03-GP501E-X	1.55	4.15	3	4.1	1.85	4.55	-	-
MK03-GP501F-X	1.15	3.75	2.6	3.6	1.55	4.15	-	-

MAGNET SmCo5 5 x 4mm

Magnetic moment: 7,2 x 10e-6Vs x cm

Sensor	D1		D3		D4		D5	
	up	to	up	to	up	to	up	to
MK04-1A66A-X	6.3	9.45	10.3	8.2	5.3	8.05	2,9	6,5
MK04-1A66B-X	4	8.15	8.8	6.7	3.8	7.15	1,2	5,1
MK04-1A66C-X	2.8	5.85	6.4	5.2	2.3	5.65	-	3,4
MK04-1A66D-X	2	4.65	4.5	4.7	1.8	4.15	-	2
MK04-1A66E-X	1.4	3.85	3.4	4.1	1.2	3.65	-	1,1
MK04-1A66F-X	0.6	3.25	2.6	3.4	0.5	3.05	-	-
MK04-GP501A-X	4.5	6.95	7.8	7.1	4.2	6.65	2,7	6,8
MK04-GP501B-X	3.9	6.55	7.1	6.4	3.5	6.25	0,8	5,1
MK04-GP501C-X	3.4	5.95	6.1	5.8	2.9	5.55	-	3,2
MK04-GP501D-X	2.9	5.45	5.1	5.3	2.4	4.95	-	2,1
MK04-GP501E-X	2.4	4.95	4.3	4.8	1.9	4.45	-	1,5
MK04-GP501F-X	1.9	4.45	3.6	4.3	1.4	3.85	-	1
MK05-1A66A-X	6.5	9.45	8.4	12.1	5.5	9.8	2,9	6,5
MK05-1A66B-X	4.2	8.15	6	10.6	4	8.9	1,2	5,1
MK05-1A66C-X	3	5.85	4.1	8.2	2.5	7.4	-	3,4
MK05-1A66D-X	2.2	4.65	3	6.3	2	5.9	-	2
MK05-1A66E-X	1.6	3.85	2.2	5.2	1.4	5.4	-	1,1
MK05-1A66F-X	0.8	3.25	1.1	4.4	0.7	4.8	-	-
MK05-GP501A-X	4.7	6.95	6.5	9.6	4.4	6.65	2,7	6,8
MK05-GP501B-X	4.1	6.55	5.5	8.9	3.7	6.25	0,8	5,1
MK05-GP501C-X	3.6	5.95	4.5	7.9	3.1	5.55	-	3,2
MK05-GP501D-X	3.1	5.45	3.7	6.9	2.6	4.95	-	2,1
MK05-GP501E-X	2.6	4.95	3	6.1	2.1	4.45	-	1,5
MK05-GP501F-X	2.1	4.45	2.4	5.4	1.6	3.85	-	1

MAGNET NdFeB N45 4 x 19mm

Magnetic moment: 30,8 x 10e-6Vs x cm

Sensor	D1		D3		D4		D5	
	up	to	up	to	up	to	up	to
MK04-1A66A-X	16,3	19,05	17,6	12,9	10	12,95	11,9	15,9
MK04-1A66B-X	12,8	18,15	16,2	10,5	7,6	11,85	8,6	14,1
MK04-1A66C-X	10,5	14,65	14,3	8,5	5,6	9,45	6,4	10,8
MK04-1A66D-X	9,3	12,35	9,4	7,3	4,4	7,45	4,8	8,6
MK04-1A66E-X	8,2	11,15	7,9	5,7	2,8	6,25	3,9	7
MK04-1A66F-X	6,6	10,05	6,4	4,8	1,9	4,65	2,4	6,1
MK04-GP501A-X	13,8	16,65	14,1	11,1	8,2	10,85	9,2	12,5
MK04-GP501B-X	12,6	15,85	13,1	10,1	7,2	10,25	7,9	11,6
MK04-GP501C-X	11,5	14,65	11,6	9,2	6,3	9,25	6,8	10,3
MK04-GP501D-X	10,5	13,55	10,3	8,4	5,5	8,35	5,8	9,2
MK04-GP501E-X	9,5	12,55	8,9	7,6	4,7	7,55	4,9	8,2
MK04-GP501F-X	8,6	11,55	8	6,9	4	6,75	4,1	7,3
MK05-1A66A-X	16,5	19,05	15,8	19,4	10,2	14,7	11,9	15,9
MK05-1A66B-X	13	18,15	13,9	18	7,8	13,6	8,6	14,1
MK05-1A66C-X	10,7	14,65	9	16,1	5,8	11,2	6,4	10,8
MK05-1A66D-X	9,5	12,35	7,5	11,2	4,6	9,2	4,8	8,6
MK05-1A66E-X	8,4	11,15	6	9,7	3	8	3,9	7
MK05-1A66F-X	6,8	10,05	4,6	8,2	2,1	6,4	2,4	6,1
MK05-GP501A-X	14	16,65	12,5	15,9	8,4	10,85	9,2	12,5
MK05-GP501B-X	12,8	15,85	11	14,9	7,4	10,25	7,9	11,6
MK05-GP501C-X	11,7	14,65	9,7	13,4	6,5	9,25	6,8	10,3
MK05-GP501D-X	10,7	13,55	8,5	12,1	5,7	8,35	5,8	9,2
MK05-GP501E-X	9,7	12,55	7,4	10,7	4,9	7,55	4,9	8,2
MK05-GP501F-X	8,8	11,55	6,5	9,8	4,2	6,75	4,1	7,3

MAGNET NdFeB 10 x 5 x 1,9

Magnetic moment: 10,3 x 10e-6Vs x cm

Sensor	D1		D3		D4		D5	
	up	to	up	to	up	to	up	to
MK04-1A66A-X	5,9	8,65	13,9	11,1	8,2	10,95	3,3	7,7
MK04-1A66B-X	4,4	7,75	12,5	9	6,1	10,05	1,1	5,5
MK04-1A66C-X	2,8	6,25	9,2	7,6	4,7	8,95	-	3,3
MK04-1A66D-X	2,3	4,65	7,2	7,2	4,3	6,55	-	1,4
MK04-1A66E-X	1,5	4,15	5,5	6,5	3,6	6,15	-	0,7
MK04-1A66F-X	0,7	3,35	5	5,7	2,8	5,45	-	-
MK04-GP501A-X	4,7	7,15	10,8	9,9	7	9,55	3,1	8,4
MK04-GP501B-X	4,1	6,75	10	9,1	6,2	8,95	0,5	5,5
MK04-GP501C-X	3,5	6,15	8,9	8,4	5,5	8,25	-	2,9
MK04-GP501D-X	3	5,55	7,9	7,7	4,8	7,55	-	1,6
MK04-GP501E-X	2,5	5,05	7	7,1	4,2	6,85	-	1,1
MK04-GP501F-X	2,1	4,55	6,2	6,5	3,6	6,25	-	-
MK05-1A66A-X	6,1	8,65	12,1	15,7	8,4	12,7	3,3	7,7
MK05-1A66B-X	4,6	7,75	8,8	14,3	6,3	11,8	1,1	5,5
MK05-1A66C-X	3	6,25	6,8	11	4,9	10,7	-	3,3
MK05-1A66D-X	2,5	4,65	5,3	9	4,5	8,3	-	1,4
MK05-1A66E-X	1,7	4,15	4,6	7,3	3,8	7,9	-	0,7
MK05-1A66F-X	0,9	3,35	3,4	6,8	3	7,2	-	-
MK05-GP501A-X	4,9	7,15	9,4	12,6	7,2	9,55	3,1	8,4
MK05-GP501B-X	4,3	6,75	8,3	11,8	6,4	8,95	0,5	5,5
MK05-GP501C-X	3,7	6,15	7,3	10,7	5,7	8,25	-	2,9
MK05-GP501D-X	3,2	5,55	6,4	9,7	5	7,55	-	1,6
MK05-GP501E-X	2,7	5,05	5,6	8,8	4,4	6,85	-	1,1
MK05-GP501F-X	2,3	4,55	4,8	8	3,8	6,25	-	-

MAGNET HF 32/25 14,95 x 10 x 5

Magnetic moment: 28,8 x 10e-6Vs x cm

Sensor	D1		D3		D4		D5	
	up	to	up	to	up	to	up	to
MK04-1A66A-X	14,3	17,55	20,7	16,3	13,4	16,35	8,4	11,6
MK04-1A66B-X	11,1	16,15	18,8	13,5	10,6	15,25	6	10,6
MK04-1A66C-X	8,9	12,95	14,6	11,6	8,7	12,45	3,8	8,2
MK04-1A66D-X	7,8	10,75	12,4	10,6	7,7	10,55	2,8	6
MK04-1A66E-X	6,8	9,65	10,6	9,8	6,9	9,55	1,7	5
MK04-1A66F-X	5,6	8,65	9,3	8,5	5,6	8,75	1	3,9
MK04-GP501A-X	11,8	14,55	17,4	14,2	11,3	13,95	6,8	10,1
MK04-GP501B-X	10,7	13,85	16,4	13,1	10,2	13,35	5,4	9,2
MK04-GP501C-X	9,6	12,75	14,9	12,2	9,3	12,25	4,3	7,8
MK04-GP501D-X	8,7	11,65	13,5	11,3	8,4	11,35	3,3	6,7
MK04-GP501E-X	7,8	10,75	12,2	10,5	7,6	10,45	2,5	5,7
MK04-GP501F-X	6,9	9,85	11,1	9,7	6,8	9,65	1,9	4,9
MK05-1A66A-X	14,5	17,55	18,4	22,5	13,6	18,1	8,4	11,6
MK05-1A66B-X	11,3	16,15	14,2	20,6	10,8	17	6	10,6
MK05-1A66C-X	9,1	12,95	12	16,4	8,9	14,2	3,8	8,2
MK05-1A66D-X	8	10,75	10,2	14,2	7,9	12,3	2,8	6
MK05-1A66E-X	7	9,65	8,9	12,4	7,1	11,3	1,7	5
MK05-1A66F-X	5,8	8,65	7,2	11,1	5,8	10,5	1	3,9
MK05-GP501A-X	12	14,55	15,8	19,2	11,5	13,95	6,8	10,1
MK05-GP501B-X	10,9	13,85	14,3	18,2	10,4	13,35	5,4	9,2
MK05-GP501C-X	9,8	12,75	12,9	16,7	9,5	12,25	4,3	7,8
MK05-GP501D-X	8,9	11,65	11,6	15,3	8,6	11,35	3,3	6,7
MK05-GP501E-X	8	10,75	10,5	14	7,8	10,45	2,5	5,7
MK05-GP501F-X	7,1	9,85	9,4	12,9	7	9,65	1,9	4,9

MAGNET AINiCo500 5,5 x 22mm

Magnetic moment: 36,6 x 10e-6Vs x cm

Sensor	D1		D3		D4		D5	
	up	to	up	to	up	to	up	to
MK04-1A66A-X	16,5	19,75	15,8	11,6	8,7	11,75	11,6	15,5
MK04-1A66B-X	12,9	18,35	15	9	6,1	10,55	8,3	13,8
MK04-1A66C-X	10,6	14,75	10,7	7,2	4,3	7,95	6,1	10,5
MK04-1A66D-X	9,1	12,45	8,2	5,9	3	6,15	4,4	8,3
MK04-1A66E-X	8,5	10,95	6,6	5,5	2,6	4,85	3,6	6,6
MK04-1A66F-X	7,2	10,35	5,4	4,5	1,6	4,45	2,4	5,8
MK04-GP501A-X	13,9	16,85	13,1	9,7	6,8	9,55	9	12,3
MK04-GP501B-X	12,7	15,95	12,1	8,6	5,7	8,85	7,6	11,4
MK04-GP501C-X	11,5	14,75	10,4	7,7	4,8	7,75	6,4	10
MK04-GP501D-X	10,4	13,55	9	6,8	3,9	6,85	5,4	8,8
MK04-GP501E-X	9,3	12,45	7,8	6,1	3,2	5,95	4,5	7,8
MK04-GP501F-X	8,4	11,35	5,7	5,4	2,5	5,25	3,7	6,9
MK05-1A66A-X	16,7	19,75	14,6	17,6	8,9	13,5	11,6	15,5
MK05-1A66B-X	13,1	18,35	10,3	16,8	6,3	12,3	8,3	13,8
MK05-1A66C-X	10,8	14,75	7,8	12,5	4,5	9,7	6,1	10,5
MK05-1A66D-X	9,3	12,45	6,2	10	3,2	7,9	4,4	8,3
MK05-1A66E-X	8,7	10,95	5	8,4	2,8	6,6	3,6	6,6
MK05-1A66F-X	7,4	10,35	4,3	7,2	1,8	6,2	2,4	5,8
MK05-GP501A-X	14,1	16,85	11,5	14,9	7	9,55	9	12,3
MK05-GP501B-X	12,9	15,95	9,8	13,9	5,9	8,85	7,6	11,4
MK05-GP501C-X	11,7	14,75	8,4	12,2	5	7,75	6,4	10
MK05-GP501D-X	10,6	13,55	7,2	10,8	4,1	6,85	5,4	8,8
MK05-GP501E-X	9,5	12,45	6,1	9,6	3,4	5,95	4,5	7,8
MK05-GP501F-X	8,6	11,35	5,1	7,5	2,7	5,25	3,7	6,9

ROUND MAGNET AINiCo500 4,0 x 19mm

Magnetic moment: 14,8 x 10e-6Vs x cm

Sensor	D1		D3		D4		D5	
	up	to	up	to	up	to	up	to
MK04-1A66A-X	10,1	13,15	10,6	7,2	4,3	7,65	5,8	9,5
MK04-1A66B-X	7,3	11,95	8,5	5,5	2,6	6,15	3,8	8
MK04-1A66C-X	5,5	9,15	5,6	3,7	0,8	4,45	1,9	6
MK04-1A66D-X	4,5	7,35	3,3	3,1	0,2	2,65	0,8	4,1
MK04-1A66E-X	3,7	6,35	2,3	2,5	-	2,05	-	3
MK04-1A66F-X	2,8	5,55	1,3	1,3	-	1,45	-	2,1
MK04-GP501A-X	8,3	10,95	7,3	6,1	3,2	5,85	4,2	7,5
MK04-GP501B-X	7,3	10,35	6,5	5,2	2,3	5,25	3	6,6
MK04-GP501C-X	6,4	9,35	5,2	4,4	1,5	4,35	2	5,4
MK04-GP501D-X	5,6	8,45	4,1	3,7	0,8	3,55	1,2	4,4
MK04-GP501E-X	4,8	7,65	3,3	3,1	0,2	2,85	0,6	3,6
MK04-GP501F-X	4,1	6,85	2,5	2,6	-	2,25	0,1	3
MK05-1A66A-X	10,3	13,15	8,1	12,4	4,5	9,4	5,8	9,5
MK05-1A66B-X	7,5	11,95	5,2	10,3	2,8	7,9	3,8	8
MK05-1A66C-X	5,7	9,15	2,9	7,4	1	6,2	1,9	6
MK05-1A66D-X	4,7	7,35	1,9	5,1	0,4	4,4	0,8	4,1
MK05-1A66E-X	3,9	6,35	0,9	4,1	-	3,8	-	3
MK05-1A66F-X	3	5,55	0	3,1	-	3,2	-	2,1
MK05-GP501A-X	8,5	10,95	5,9	9,1	3,4	5,85	4,2	7,5
MK05-GP501B-X	7,5	10,35	4,6	8,3	2,5	5,25	3	6,6
MK05-GP501C-X	6,6	9,35	3,5	7	1,7	4,35	2	5,4
MK05-GP501D-X	5,8	8,45	2,7	5,9	1	3,55	1,2	4,4
MK05-GP501E-X	5	7,65	1,9	5,1	0,4	2,85	0,6	3,6
MK05-GP501F-X	4,3	6,85	1,3	4,3	-	2,25	0,1	3

ROUND MAGNET AINiCo500 3,7 x 22mm

Magnetic moment: 19,8 x 10e-6Vs x cm

Sensor	D1		D3		D4		D5	
	up	to	up	to	up	to	up	to
MK04-1A66A-X	11,2	15,25	10,7	7,9	5	8,35	7,3	10,9
MK04-1A66B-X	8,5	13,25	9,2	5,4	2,5	6,85	5,2	9,5
MK04-1A66C-X	6,6	10,25	7,1	4	1,1	4,35	3,1	7,4
MK04-1A66D-X	5,7	8,65	4,7	3,1	0,2	2,95	1,9	5,3
MK04-1A66E-X	4,6	7,75	3,2	2,5	-	2,05	1	4,1
MK04-1A66F-X	3,5	6,65	1,1	1,5	-	1,45	0,1	3,2
MK04-GP501A-X	9,5	12,15	9,2	6,7	3,8	6,45	5,7	8,9
MK04-GP501B-X	8,5	11,55	8,2	5,6	2,7	5,85	4,5	8,1
MK04-GP501C-X	7,5	10,55	6,7	4,8	1,9	4,75	3,5	6,9
MK04-GP501D-X	6,6	9,55	5,5	4	1,1	3,95	2,6	5,9
MK04-GP501E-X	5,8	8,65	4,4	3,3	0,4	3,15	1,9	5
MK04-GP501F-X	5,1	7,85	3,6	2,8	-	2,45	1,3	4,3
MK05-1A66A-X	11,4	15,25	8,8	12,5	5,2	10,1	7,3	10,9
MK05-1A66B-X	8,7	13,25	6,7	11	2,7	8,6	5,2	9,5
MK05-1A66C-X	6,8	10,25	4,3	8,9	1,3	6,1	3,1	7,4
MK05-1A66D-X	5,9	8,65	2,8	6,5	0,4	4,7	1,9	5,3
MK05-1A66E-X	4,8	7,75	0,7	5	-	3,8	1	4,1
MK05-1A66F-X	3,7	6,65	0,5	2,9	-	3,2	0,1	3,2
MK05-GP501A-X	9,7	12,15	7,6	11	4	6,45	5,7	8,9
MK05-GP501B-X	8,7	11,55	6,1	10	2,9	5,85	4,5	8,1
MK05-GP501C-X	7,7	10,55	4,9	8,5	2,1	4,75	3,5	6,9
MK05-GP501D-X	6,8	9,55	3,8	7,3	1,3	3,95	2,6	5,9
MK05-GP501E-X	6	8,65	3	6,2	0,6	3,15	1,9	5
MK05-GP501F-X	5,3	7,85	2,2	5,4	0,1	2,45	1,3	4,3

MAGNET NdFeB N35 4 x 2mm

Magnetic moment: $3,39 \times 10^{-6}$ Vs x cm

Sensor	D1		D3		D4		D5	
	up	to	up	to	up	to	up	to
MK04-1A66A-X	2,4	5,15	6,4	5,4	2,5	5,05	0,5	4
MK04-1A66B-X	0,9	4,25	5,2	4,2	1,3	4,35	-	2,7
MK04-1A66C-X	-	2,75	3,3	3,3	0,4	3,15	-	1,1
MK04-1A66D-X	-	1,65	2	2,8	-	2,25	-	-
MK04-1A66E-X	-	1,25	1,4	2,3	-	1,75	-	-
MK04-1A66F-X	-	0,65	0,8	1,8	-	1,25	-	-
MK04-GP501A-X	1,3	3,65	4,5	4,8	1,9	4,55	0,8	5,4
MK04-GP501B-X	0,8	3,25	3,8	4,3	1,4	3,95	-	3,3
MK04-GP501C-X	0,4	2,85	2,9	3,8	0,9	3,45	-	-
MK04-GP501D-X	0	2,45	2,1	3,3	0,4	2,95	-	-
MK04-GP501E-X	-	2,05	1,5	2,9	0	2,45	-	-
MK04-GP501F-X	-	1,65	1	2,6	-	2,05	-	-
MK05-1A66A-X	2,6	5,15	4,8	8,2	2,7	6,8	0,5	4
MK05-1A66B-X	1,1	4,25	2,9	7	1,5	6,1	-	2,7
MK05-1A66C-X	0	2,75	1,6	5,1	0,6	4,9	-	1,1
MK05-1A66D-X	-	1,65	1	3,8	0,1	4	-	-
MK05-1A66E-X	-	1,25	0,4	3,2	-	3,5	-	-
MK05-1A66F-X	-	0,65	-	2,6	-	3	-	-
MK05-GP501A-X	1,5	3,65	3,2	6,3	2,1	4,55	0,8	5,4
MK05-GP501B-X	1	3,25	2,3	5,6	1,6	3,95	-	3,3
MK05-GP501C-X	0,6	2,85	1,5	4,7	1,1	3,45	-	-
MK05-GP501D-X	0,2	2,45	0,9	3,9	0,6	2,95	-	-
MK05-GP501E-X	-	2,05	0,4	3,3	0,2	2,45	-	-
MK05-GP501F-X	-	1,65	0	2,8	-	2,05	-	-

MAGNET SmCo5 5 x 4mm

Magnetic moment: $7,2 \times 10e-6Vs \times cm$

Sensor	D1		D3		D4		D5	
	up	to	up	to	up	to	up	to
MK06-4-A	9,2	10,5	9,6	12,6	8	9,5	4,4	6,2
MK06-4-B	8,6	9,9	8,8	11,6	7,5	9,1	4	5,6
MK06-4-C	8,1	9,6	7,9	10,1	7,3	8,7	3,5	5
MK06-4-D	7,7	9	7	9,3	7	7,6	3	4,2
MK06-4-E	7,4	8,5	6,6	8,3	6,5	7,5	2,8	3,9
MK06-5-A	9	11,6	8,7	12,8	8,3	10,8	4	8,5
MK06-5-B	8,5	11,6	8	12,8	7,9	10,8	3,4	8,4
MK06-5-C	7,4	9,5	6,5	9,4	6,8	8,8	2,2	4,7
MK06-5-D	6,9	9,1	5,9	8,8	6,4	8,4	2	4,1
MK06-5-E	5,8	8,1	4,5	7,1	5,3	7,5	1,3	2,9
MK06-6-A	11,0	13,3	10,5	13,7	9,9	11,9	4,9	8,5
MK06-6-B	9,4	12,1	7,8	11,7	8,4	10,8	3,3	6,2
MK06-6-C	8,3	10,3	6,3	9,1	7,7	9,4	2,0	4,4
MK06-6-D	7,5	9,3	5,6	7,7	6,4	8,4	1,3	3,2
MK06-6-E	6,5	8,6	4,5	6,6	5,8	8,0	1,0	2,2
MK06-7-A	10,1	12,1	9,9	14,4	9,6	11,2	5,4	19,5
MK06-7-B	9,1	10,9	7,8	11,5	8,9	10,3	2,7	9,3
MK06-7-C	7,0	10,1	5,2	9,7	6,5	9,6	0,7	4,7
MK06-7-D	6,6	8,6	4,4	7,4	6,3	8,1	-	2,6
MK06-7-E	5,8	7,8	3,2	6,0	5,9	7,0	-	1,2
MK06-8-A	11,7	13,7	10,3	14,5	10,6	12,4	7,5	58,3
MK06-8-B	9,8	12,6	7,6	11,6	8,8	11,4	2,4	16,3
MK06-8-C	7,9	11,5	5,2	9,7	7,5	10,5	0,1	4,1
MK06-8-D	7,5	9,8	4,1	7,5	7,1	8,8	-	2,3
MK06-8-E	6,3	8,2	2,8	5,6	5,9	8,1	-	0,4

MAGNET NdFeB N45 4 x 19mm

Magnetic moment: 30,8 x 10e-6Vs x cm

Sensor	D1		D3		D4		D5	
	up	to	up	to	up	to	up	to
MK06-4-A	17,4	22	15,1	19,4	11,3	13,8	11,5	14,6
MK06-4-B	16,3	20,1	14,1	17,4	10,5	12,7	10,8	13,3
MK06-4-C	14,4	18,1	12	15,9	9,9	11,8	9,4	11,9
MK06-4-D	13,4	16,9	11,3	14,2	9,5	10,8	8,9	11,1
MK06-4-E	12,6	15,4	10,4	13,1	8,4	10,1	8,2	10,2
MK06-5-A	17,7	23	13,8	19,3	11,9	15,8	10,9	15,7
MK06-5-B	16,8	22,9	12,9	19,2	11,2	15,8	10,2	15,6
MK06-5-C	14,6	18,6	10,7	14,7	9,6	12,6	8,3	11,7
MK06-5-D	13,7	17,8	10,1	13,9	8,9	12	7,8	11
MK06-5-E	11,5	15,9	7,9	12	7,3	10,6	5,9	9,4
MK06-6-A	20,8	24,5	17,7	22,1	14,8	18,0	13,5	6,9
MK06-6-B	18,0	21,7	13,7	18,9	12,3	15,6	10,4	14,5
MK06-6-C	15,8	19,4	11,1	15,4	10,3	13,8	8,5	11,7
MK06-6-D	14,3	17,6	10,1	13,4	9,0	12,2	7,8	10,2
MK06-6-E	13,3	16,1	9,2	11,4	8,1	10,6	6,8	8,7
MK06-7-A	20,6	24,0	15,8	20,7	14,1	16,9	12,5	17,3
MK06-7-B	18,7	21,9	13,5	17,7	12,7	15,3	10,3	14,3
MK06-7-C	15,5	21,2	10,1	16,0	10,6	14,9	7,3	12,2
MK06-7-D	14,9	18,3	9,1	12,9	9,3	12,3	6,3	9,8
MK06-7-E	13,2	16,2	7,3	11,2	8,4	11,2	4,8	8,2
MK06-8-A	22,3	25,5	16,3	20,8	16,2	18,7	12,3	16,8
MK06-8-B	19,3	23,6	12,7	17,9	13,1	17,3	9,3	14
MK06-8-C	16,7	21,9	9,6	15,6	11	15,9	6,8	11,7
MK06-8-D	15,3	19,1	7,9	12,5	10	13,1	5,3	9,3
MK06-8-E	13,2	17,1	6,2	10	7	11,3	3,7	7,2

MAGNET NdFeB 10 x 5 x 1,9

Magnetic moment: 10,3 x 10e-6Vs x cm

Sensor	D1		D3		D4		D5	
	up	to	up	to	up	to	up	to
MK06-4-A	11,5	14,5	10,6	17	10,6	12,5	5,8	7,9
MK06-4-B	10,7	13,2	10,1	11,9	10,1	11,9	5,6	7,1
MK06-4-C	9,5	12	9,6	11	9,6	11	4,7	6,5
MK06-4-D	8,8	11,2	9,2	10,2	9,2	10,2	4,3	5,6
MK06-4-E	8,3	10,2	8,4	9,8	8,4	9,8	4	5,2
MK06-5-A	10,8	13,2	11,3	15,5	10,9	13,5	5,4	9,5
MK06-5-B	10,4	13,2	10,6	15,4	10,3	13,5	4,6	9,5
MK06-5-C	9,3	11,3	8,8	12	9,2	11,4	3,3	5,9
MK06-5-D	9	10,9	8,5	11,4	8,7	11	3,1	5,5
MK06-5-E	7,8	10	6,6	9,9	7,5	9,9	1,8	4,1
MK06-6-A	13,3	15,6	11,5	14,7	12,7	14,9	6,5	9,6
MK06-6-B	11,5	14,3	8,4	12,5	10,8	13,6	4,1	7,2
MK06-6-C	10,3	12,5	6,6	9,7	9,5	11,8	2,9	5,2
MK06-6-D	9,6	11,5	6,2	8,3	8,7	10,7	2,3	4,1
MK06-6-E	8,4	10,6	4,7	6,8	7,7	9,8	1,7	3,2
MK06-7-A	12,4	14,8	12,6	16,7	11,9	13,9	6,7	12,7
MK06-7-B	11,2	13,4	10,6	14,1	10,9	12,7	4,5	8,7
MK06-7-C	9,2	12,9	7,6	12,6	9,2	12,7	2,3	6,3
MK06-7-D	8,8	11,0	7,0	10,1	8,7	10,8	1,7	4,5
MK06-7-E	7,8	9,8	5,7	8,4	8,4	9,7	0,9	2,9
MK06-8-A	14,2	16,8	13	16,9	13,8	16	6,9	11,3
MK06-8-B	11,9	15,2	10,3	14,4	11,5	14,7	4,3	8,6
MK06-8-C	9,8	14	7,7	12,5	9,8	13,6	2,2	6,3
MK06-8-D	9,2	11,9	6,7	10,2	9,4	11,5	0,8	4,1
MK06-8-E	7,6	10,1	4,9	8,1	7,9	10,1	-	2,6

MAGNET HF 32/25 14,95 x 10 x 5

Magnetic moment: 28,8 x 10e-6Vs x cm

Sensor	D1		D3		D4		D5	
	up	to	up	to	up	to	up	to
MK06-4-A	15,7	19,7	18,3	22,9	14,6	17,6	9,3	12,6
MK06-4-B	14,7	18,3	16,8	20,9	13,7	16,4	8,8	11,4
MK06-4-C	13	16,5	15,1	19,5	12,6	15,1	7,4	9,8
MK06-4-D	12,1	15,1	14	17,3	12,1	14	6,8	9,1
MK06-4-E	11,3	13,8	13	15,9	10,9	13,1	6,2	8,1
MK06-5-A	15,5	19,4	16,7	22,2	15,3	19,7	8,4	13,1
MK06-5-B	15,1	19,3	15,8	22,1	14,7	19,7	7,5	13,1
MK06-5-C	14	17,4	13,5	17,6	12,9	16,2	5,8	9,1
MK06-5-D	12,2	15,6	12,9	16,8	12,3	15,4	5,5	8,4
MK06-5-E	11,1	14,9	10,4	14,8	10,3	14	3,8	6,8
MK06-6-A	19,0	22,6	20,8	25,1	18,4	21,7	10,8	14,0
MK06-6-B	16,3	20,3	16,8	22,5	15,7	19,6	7,9	12,0
MK06-6-C	14,1	17,8	14,0	18,5	13,6	17,2	5,9	9,3
MK06-6-D	13,2	16,1	13,4	16,5	12,5	15,5	5,5	7,8
MK06-6-E	11,6	14,4	11,6	14,3	11,2	13,9	4,6	6,2
MK06-7-A	18,2	21,4	18,9	23,7	17,7	20,5	9,9	14,8
MK06-7-B	16,4	19,5	16,4	20,7	16,1	18,8	7,8	11,7
MK06-7-C	13,9	18,6	12,9	18,5	13,6	18,0	5,1	9,8
MK06-7-D	12,9	16,1	11,6	15,8	12,7	15,8	4,2	7,7
MK06-7-E	11,7	14,6	9,7	13,9	11,5	14,3	3,0	5,9
MK06-8-A	21	24,5	19,1	23,5	19,9	22,7	10,4	15,5
MK06-8-B	17,8	22,3	15,4	20,8	17,2	21	7,8	12,2
MK06-8-C	15,4	20,5	12,4	18,5	15	19,6	5,4	9,7
MK06-8-D	14	17,7	10,9	15,2	13,7	17,1	3,9	7,7
MK06-8-E	11,6	16,2	8,4	13,3	11,9	15,8	2,4	5,7

MAGNET SmCo5 5 x 4mm

Magnetic moment: 7,2 x 10e-6Vs x cm

Sensor	D1		D3		D4		D5	
	up	to	up	to	up	to	up	to
MK07-1A66A-X	7,7	11,2	10,8	12,7	6,7	9,8	5,3	7,1
MK07-1A66B-X	5,4	9,9	8,4	11,2	5,2	8,9	3,6	5,7
MK07-1A66C-X	4,2	7,6	6,5	8,8	3,7	7,4	2,2	4
MK07-1A66D-X	3,4	6,4	5,4	6,9	3,2	5,9	1,3	2,6
MK07-1A66E-X	2,8	5,6	4,6	5,8	2,6	5,4	-	1,7
MK07-1A66F-X	2	5	3,5	5	1,9	4,8	-	-
MK07-GP501A-X	5,9	8,7	8,9	10,2	5,6	8,4	5,1	7,4
MK07-GP501B-X	5,3	8,3	7,9	9,5	4,9	8	3,2	5,7
MK07-GP501C-X	4,8	7,7	6,9	8,5	4,3	7,3	2,1	3,8
MK07-GP501D-X	4,3	7,2	6,1	7,5	3,8	6,7	1,5	2,7
MK07-GP501E-X	3,8	6,7	5,4	6,7	3,3	6,2	1,1	2,1
MK07-GP501F-X	3,3	6,2	4,8	6	2,8	5,6	0,8	1,6
MK12-1A66B-X	6,05	10,7	4,5	16,4	6,45	11,3	-	8
MK12-1A66C-X	5,35	9,8	1,9	8,4	5,75	10,2	-	2,6
MK12-1A66E-X	3,45	8,3	-	3,8	3,75	8,7	-	-
MK13-1A66A-X	6,3	9,45	8,4	12,1	5,3	8,05	2,9	6,5
MK13-1A66B-X	4	8,15	6	10,6	3,8	7,15	1,2	5,1
MK13-1A66C-X	2,8	5,85	4,1	8,2	2,3	5,65	-	3,4
MK13-1A66D-X	2	4,65	3	6,3	1,8	4,15	-	2
MK13-1A66E-X	1,4	3,85	2,2	5,2	1,2	3,65	-	1,1
MK13-1A66F-X	0,6	3,25	1,1	4,4	0,5	3,05	-	-
MK13-GP501A-X	4,5	6,95	6,5	9,6	4,2	6,65	2,7	6,8
MK13-GP501B-X	3,9	6,55	5,5	8,9	3,5	6,25	0,8	5,1
MK13-GP501C-X	3,4	5,95	4,5	7,9	2,9	5,55	-	3,2
MK13-GP501D-X	2,9	5,45	3,7	6,9	2,4	4,95	-	2,1
MK13-GP501E-X	2,4	4,95	3	6,1	1,9	4,45	-	1,5
MK13-GP501F-X	1,9	4,45	2,4	5,4	1,4	3,85	-	1

MAGNET NdFeB N45 4 x 19mm

Magnetic moment: 30,8 x 10e-6Vs x cm

Sensor	D1		D3		D4		D5	
	up	to	up	to	up	to	up	to
MK07-1A66A-X	17,7	20,8	18,2	20	11,4	14,7	14,3	16,5
MK07-1A66B-X	14,2	19,9	16,3	18,6	9	13,6	11	14,7
MK07-1A66C-X	11,9	16,4	11,4	16,7	7	11,2	8,8	11,4
MK07-1A66D-X	10,7	14,1	9,9	11,8	5,8	9,2	7,2	9,2
MK07-1A66E-X	9,6	12,9	8,4	10,3	4,2	8	6,3	7,6
MK07-1A66F-X	8	11,8	7	8,8	3,3	6,4	4,8	6,7
MK07-GP501A-X	15,2	18,4	14,9	16,5	9,6	12,6	11,6	13,1
MK07-GP501B-X	14	17,6	13,4	15,5	8,6	12	10,3	12,2
MK07-GP501C-X	12,9	16,4	12,1	14	7,7	11	9,2	10,9
MK07-GP501D-X	11,9	15,3	10,9	12,7	6,9	10,1	8,2	9,8
MK07-GP501E-X	10,9	14,3	9,8	11,3	6,1	9,3	7,3	8,8
MK07-GP501F-X	10	13,3	8,9	10,4	5,4	8,5	6,5	7,9
MK12-1A66B-X	16,85	22,9	11,9	21	11,25	17,4	7,1	17,1
MK12-1A66C-X	14,55	20,9	8,3	16	9,85	15,5	4,4	11,2
MK12-1A66E-X	11,95	17,5	4	10,2	7,35	12,8	1	6,3
MK13-1A66A-X	16,3	19,05	15,8	19,4	10	12,95	11,9	15,9
MK13-1A66B-X	12,8	18,15	13,9	18	7,6	11,85	8,6	14,1
MK13-1A66C-X	10,5	14,65	9	16,1	5,6	9,45	6,4	10,8
MK13-1A66D-X	9,3	12,35	7,5	11,2	4,4	7,45	4,8	8,6
MK13-1A66E-X	8,2	11,15	6	9,7	2,8	6,25	3,9	7
MK13-1A66F-X	6,6	10,05	4,6	8,2	1,9	4,65	2,4	6,1
MK13-GP501A-X	13,8	16,65	12,5	15,9	8,2	10,85	9,2	12,5
MK13-GP501B-X	12,6	15,85	11	14,9	7,2	10,25	7,9	11,6
MK13-GP501C-X	11,5	14,65	9,7	13,4	6,3	9,25	6,8	10,3
MK13-GP501D-X	10,5	13,55	8,5	12,1	5,5	8,35	5,8	9,2
MK13-GP501E-X	9,5	12,55	7,4	10,7	4,7	7,55	4,9	8,2
MK13-GP501F-X	8,6	11,55	6,5	9,8	4	6,75	4,1	7,3

MAGNET NdFeB 10 x 5 x 1,9

Magnetic moment: 10,3 x 10e-6Vs x cm

Sensor	D1		D3		D4		D5	
	up	to	up	to	up	to	up	to
MK07-1A66A-X	7,3	10,4	14,5	16,3	9,6	12,7	5,7	8,3
MK07-1A66B-X	5,8	9,5	11,2	14,9	7,5	11,8	3,5	6,1
MK07-1A66C-X	4,2	8	9,2	11,6	6,1	10,7	1,6	3,9
MK07-1A66D-X	3,7	6,4	7,7	9,6	5,7	8,3	0,9	2
MK07-1A66E-X	2,9	5,9	7	7,9	5	7,9	-	1,3
MK07-1A66F-X	2,1	5,1	5,8	7,4	4,2	7,2	-	-
MK07-GP501A-X	6,1	8,9	11,8	13,2	8,4	11,3	5,5	9
MK07-GP501B-X	5,5	8,5	10,7	12,4	7,6	10,7	2,9	6,1
MK07-GP501C-X	4,9	7,9	9,7	11,3	6,9	10	1,6	3,5
MK07-GP501D-X	4,4	7,3	8,8	10,3	6,2	9,3	1,1	2,2
MK07-GP501E-X	3,9	6,8	8	9,4	5,6	8,6	-	1,7
MK07-GP501F-X	3,5	6,3	7,2	8,6	5	8	-	-
MK12-1A66B-X	6,85	11,7	7,7	16,2	9,45	14,4	-	6,9
MK12-1A66C-X	4,05	12,9	4,5	11,9	8,35	13,4	-	3,4
MK12-1A66E-X	0,85	7	1,5	6,4	6,45	11,3	-	-
MK13-1A66A-X	5,9	8,65	12,1	15,7	8,2	10,95	3,3	7,7
MK13-1A66B-X	4,4	7,75	8,8	14,3	6,1	10,05	1,1	5,5
MK13-1A66C-X	2,8	6,25	6,8	11	4,7	8,95	-	3,3
MK13-1A66D-X	2,3	4,65	5,3	9	4,3	6,55	-	1,4
MK13-1A66E-X	1,5	4,15	4,6	7,3	3,6	6,15	-	0,7
MK13-1A66F-X	0,7	3,35	3,4	6,8	2,8	5,45	-	-
MK13-GP501A-X	4,7	7,15	9,4	12,6	7	9,55	3,1	8,4
MK13-GP501B-X	4,1	6,75	8,3	11,8	6,2	8,95	0,5	5,5
MK13-GP501C-X	3,5	6,15	7,3	10,7	5,5	8,25	-	2,9
MK13-GP501D-X	3	5,55	6,4	9,7	4,8	7,55	-	1,6
MK13-GP501E-X	2,5	5,05	5,6	8,8	4,2	6,85	-	1,1
MK13-GP501F-X	2,1	4,55	4,8	8	3,6	6,25	-	-

MAGNET HF 32/25 14,95 x 10 x 5

Magnetic moment: 28,8 x 10e-6Vs x cm

Sensor	D1		D3		D4		D5	
	up	to	up	to	up	to	up	to
MK07-1A66A-X	15,7	19,3	20,8	23,1	14,8	18,1	10,8	12,2
MK07-1A66B-X	12,5	17,9	16,6	21,2	12	17	8,4	11,2
MK07-1A66C-X	10,3	14,7	14,4	17	10,1	14,2	6,2	8,8
MK07-1A66D-X	9,2	12,5	12,6	14,8	9,1	12,3	5,2	6,6
MK07-1A66E-X	8,2	11,4	11,3	13	8,3	11,3	4,1	5,6
MK07-1A66F-X	7	10,4	9,6	11,7	7	10,5	3,4	4,5
MK07-GP501A-X	13,2	16,3	18,2	19,8	12,7	15,7	9,2	10,7
MK07-GP501B-X	12,1	15,6	16,7	18,8	11,6	15,1	7,8	9,8
MK07-GP501C-X	11	14,5	15,3	17,3	10,7	14	6,7	8,4
MK07-GP501D-X	10,1	13,4	14	15,9	9,8	13,1	5,7	7,3
MK07-GP501E-X	9,2	12,5	12,9	14,6	9	12,2	4,9	6,3
MK07-GP501F-X	8,3	11,6	11,8	13,5	8,2	11,4	4,3	5,5
MK12-1A66B-X	14,65	20,9	14	23,3	14,05	19,9	5,4	17
MK12-1A66C-X	12,55	19,1	10,6	19,3	1,45	18,8	2,5	9,3
MK12-1A66E-X	9,85	15,5	6,9	12,6	-	4,4	-	4,4
MK13-1A66A-X	14,3	17,55	18,4	22,5	13,4	16,35	8,4	11,6
MK13-1A66B-X	11,1	16,15	14,2	20,6	10,6	15,25	6	10,6
MK13-1A66C-X	8,9	12,95	12	16,4	8,7	12,45	3,8	8,2
MK13-1A66D-X	7,8	10,75	10,2	14,2	7,7	10,55	2,8	6
MK13-1A66E-X	6,8	9,65	8,9	12,4	6,9	9,55	1,7	5
MK13-1A66F-X	5,6	8,65	7,2	11,1	5,6	8,75	1	3,9
MK13-GP501A-X	11,8	14,55	15,8	19,2	11,3	13,95	6,8	10,1
MK13-GP501B-X	10,7	13,85	14,3	18,2	10,2	13,35	5,4	9,2
MK13-GP501C-X	9,6	12,75	12,9	16,7	9,3	12,25	4,3	7,8
MK13-GP501D-X	8,7	11,65	11,6	15,3	8,4	11,35	3,3	6,7
MK13-GP501E-X	7,8	10,75	10,5	14	7,6	10,45	2,5	5,7
MK13-GP501F-X	6,9	9,85	9,4	12,9	6,8	9,65	1,9	4,9

MAGNET AINiCo500 5,5 x 22mm

Magnetic moment: 36,6 x 10e-6Vs x cm

Sensor	D1		D3		D4		D5	
	up	to	up	to	up	to	up	to
MK07-1A66A-X	17,9	21,5	17	18,2	10,1	13,5	14	16,1
MK07-1A66B-X	14,3	20,1	12,7	17,4	7,5	12,3	10,7	14,4
MK07-1A66C-X	12	16,5	10,2	13,1	5,7	9,7	8,5	11,1
MK07-1A66D-X	10,5	14,2	8,6	10,6	4,4	7,9	6,8	8,9
MK07-1A66E-X	9,9	12,7	7,4	9	4	6,6	6	7,2
MK07-1A66F-X	8,6	12,1	6,7	7,8	3	6,2	4,8	6,4
MK07-GP501A-X	15,3	18,6	13,9	15,5	8,2	11,3	11,4	12,9
MK07-GP501B-X	14,1	17,7	12,2	14,5	7,1	10,6	10	12
MK07-GP501C-X	12,9	16,5	10,8	12,8	6,2	9,5	8,8	10,6
MK07-GP501D-X	11,8	15,3	9,6	11,4	5,3	8,6	7,8	9,4
MK07-GP501E-X	10,7	14,2	8,5	10,2	4,6	7,7	6,9	8,4
MK07-GP501F-X	9,8	13,1	7,5	8,1	3,9	7	6,1	7,5
MK12-1A66B-X	19,05	26,5	9,3	20,2	11,65	18,6	7,9	17,4
MK12-1A66C-X	17,35	24,1	6,9	15,9	10,15	16,3	5,1	12,9
MK12-1A66E-X	13,45	20,3	3,6	9	6,65	13,1	1,9	7
MK13-1A66A-X	16,5	19,75	14,6	17,6	8,7	11,75	11,6	15,5
MK13-1A66B-X	12,9	18,35	10,3	16,8	6,1	10,55	8,3	13,8
MK13-1A66C-X	10,6	14,75	7,8	12,5	4,3	7,95	6,1	10,5
MK13-1A66D-X	9,1	12,45	6,2	10	3	6,15	4,4	8,3
MK13-1A66E-X	8,5	10,95	5	8,4	2,6	4,85	3,6	6,6
MK13-1A66F-X	7,2	10,35	4,3	7,2	1,6	4,45	2,4	5,8
MK13-GP501A-X	13,9	16,85	11,5	14,9	6,8	9,55	9	12,3
MK13-GP501B-X	12,7	15,95	9,8	13,9	5,7	8,85	7,6	11,4
MK13-GP501C-X	11,5	14,75	8,4	12,2	4,8	7,75	6,4	10
MK13-GP501D-X	10,4	13,55	7,2	10,8	3,9	6,85	5,4	8,8
MK13-GP501E-X	9,3	12,45	6,1	9,6	3,2	5,95	4,5	7,8
MK13-GP501F-X	8,4	11,35	5,1	7,5	2,5	5,25	3,7	6,9

ROUND MAGNET AlNiCo500 4,0 x 19mm

Magnetic moment: 14,8 x 10e-6Vs x cm

Sensor	D1		D3		D4		D5	
	up	to	up	to	up	to	up	to
MK07-1A66A-X	11,5	14,9	10,5	13	5,7	9,4	8,2	10,1
MK07-1A66B-X	8,7	13,7	7,6	10,9	4	7,9	6,2	8,6
MK07-1A66C-X	6,9	10,9	5,3	8	2,2	6,2	4,3	6,6
MK07-1A66D-X	5,9	9,1	4,3	5,7	1,6	4,4	3,2	4,7
MK07-1A66E-X	5,1	8,1	3,3	4,7	1	3,8	2,3	3,6
MK07-1A66F-X	4,2	7,3	2,4	3,7	-	3,2	1,5	2,7
MK07-GP501A-X	9,7	12,7	8,3	9,7	4,6	7,6	6,6	8,1
MK07-GP501B-X	8,7	12,1	7	8,9	3,7	7	5,4	7,2
MK07-GP501C-X	7,8	11,1	5,9	7,6	2,9	6,1	4,4	6
MK07-GP501D-X	7	10,2	5,1	6,5	2,2	5,3	3,6	5
MK07-GP501E-X	6,2	9,4	4,3	5,7	1,6	4,6	3	4,2
MK07-GP501F-X	5,5	8,6	3,7	4,9	1,1	4	2,5	3,6
MK13-1A66A-X	10,1	13,15	8,1	12,4	4,3	7,65	5,8	9,5
MK13-1A66B-X	7,3	11,95	5,2	10,3	2,6	6,15	3,8	8
MK13-1A66C-X	5,5	9,15	2,9	7,4	0,8	4,45	1,9	6
MK13-1A66D-X	4,5	7,35	1,9	5,1	0,2	2,65	0,8	4,1
MK13-1A66E-X	3,7	6,35	0,9	4,1	-	2,05	-	3
MK13-1A66F-X	2,8	5,55	0	3,1	-	1,45	-	2,1
MK13-GP501A-X	8,3	10,95	5,9	9,1	3,2	5,85	4,2	7,5
MK13-GP501B-X	7,3	10,35	4,6	8,3	2,3	5,25	3	6,6
MK13-GP501C-X	6,4	9,35	3,5	7	1,5	4,35	2	5,4
MK13-GP501D-X	5,6	8,45	2,7	5,9	0,8	3,55	1,2	4,4
MK13-GP501E-X	4,8	7,65	1,9	5,1	0,2	2,85	0,6	3,6
MK13-GP501F-X	4,1	6,85	1,3	4,3	-	2,25	0,1	3

ROUND MAGNET AlNiCo500 3,7 x 22mm

Magnetic moment: 19,8 x 10e-6Vs x cm

Sensor	D1		D3		D4		D5	
	up	to	up	to	up	to	up	to
MK07-1A66A-X	12,6	17	11,2	13,1	6,4	10,1	9,7	11,5
MK07-1A66B-X	9,9	15	9,1	11,6	3,9	8,6	7,6	10,1
MK07-1A66C-X	8	12	6,7	9,5	2,5	6,1	5,5	8
MK07-1A66D-X	7,1	10,4	5,2	7,1	1,6	4,7	4,3	5,9
MK07-1A66E-X	6	9,5	3,1	5,6	1	3,8	3,4	4,7
MK07-1A66F-X	4,9	8,4	2,9	3,5	0	3,2	2,5	3,8
MK07-GP501A-X	10,9	13,9	10	11,6	5,2	8,2	8,1	9,5
MK07-GP501B-X	9,9	13,3	8,5	10,6	4,1	7,6	6,9	8,7
MK07-GP501C-X	8,9	12,3	7,3	9,1	3,3	6,5	5,9	7,5
MK07-GP501D-X	8	11,3	6,2	7,9	2,5	5,7	5	6,5
MK07-GP501E-X	7,2	10,4	5,4	6,8	1,8	4,9	4,3	5,6
MK07-GP501F-X	6,5	9,6	4,6	6	1,3	4,2	3,7	4,9
MK13-1A66A-X	11,2	15,25	8,8	12,5	5	8,35	7,3	10,9
MK13-1A66B-X	8,5	13,25	6,7	11	2,5	6,85	5,2	9,5
MK13-1A66C-X	6,6	10,25	4,3	8,9	1,1	4,35	3,1	7,4
MK13-1A66D-X	5,7	8,65	2,8	6,5	0,2	2,95	1,9	5,3
MK13-1A66E-X	4,6	7,75	0,7	5	-	2,05	1	4,1
MK13-1A66F-X	3,5	6,65	0,5	2,9	-	1,45	0,1	3,2
MK13-GP501A-X	9,5	12,15	7,6	11	3,8	6,45	5,7	8,9
MK13-GP501B-X	8,5	11,55	6,1	10	2,7	5,85	4,5	8,1
MK13-GP501C-X	7,5	10,55	4,9	8,5	1,9	4,75	3,5	6,9
MK13-GP501D-X	6,6	9,55	3,8	7,3	1,1	3,95	2,6	5,9
MK13-GP501E-X	5,8	8,65	3	6,2	0,4	3,15	1,9	5
MK13-GP501F-X	5,1	7,85	2,2	5,4	-	2,45	1,3	4,3

MAGNET NdFeB N35 4 x 2mm

Magnetic moment: 3,39 x 10e-6Vs x cm

Sensor	D1		D3		D4		D5	
	up	to	up	to	up	to	up	to
MK07-1A66A-X	3,8	6,9	7,2	8,8	3,9	6,8	2,9	4,6
MK07-1A66B-X	2,3	6	5,3	7,6	2,7	6,1	1,3	3,3
MK07-1A66C-X	1,2	4,5	4	5,7	1,8	4,9	-	1,7
MK07-1A66D-X	0,8	3,4	3,4	4,4	1,3	4	-	-
MK07-1A66E-X	0,2	3	2,8	3,8	0,8	3,5	-	-
MK07-1A66F-X	-	2,4	1,5	3,2	0,3	3	-	-
MK07-GP501A-X	2,7	5,4	5,6	6,9	3,3	6,3	3,2	6
MK07-GP501B-X	2,2	5	4,7	6,2	2,8	5,7	-	3,9
MK07-GP501C-X	1,8	4,6	3,9	5,3	2,3	5,2	-	-
MK07-GP501D-X	1,4	4,2	3,3	4,5	1,8	4,7	-	-
MK07-GP501E-X	1,1	3,8	2,8	3,9	1,4	4,2	-	-
MK07-GP501F-X	0,7	3,4	2,4	3,4	1,1	3,8	-	-
MK13-1A66A-X	2,4	5,15	4,8	8,2	2,5	5,05	0,5	4
MK13-1A66B-X	0,9	4,25	2,9	7	1,3	4,35	-	2,7
MK13-1A66C-X	-	2,75	1,6	5,1	0,4	3,15	-	1,1
MK13-1A66D-X	-	1,65	1	3,8	-	2,25	-	-
MK13-1A66E-X	-	1,25	0,4	3,2	-	1,75	-	-
MK13-1A66F-X	-	0,65	-	2,6	-	1,25	-	-
MK13-GP501A-X	1,3	3,65	3,2	6,3	1,9	4,55	0,8	5,4
MK13-GP501B-X	0,8	3,25	2,3	5,6	1,4	3,95	-	3,3
MK13-GP501C-X	0,4	2,85	1,5	4,7	0,9	3,45	-	-
MK13-GP501D-X	0	2,45	0,9	3,9	0,4	2,95	-	-
MK13-GP501E-X	-	2,05	0,4	3,3	0	2,45	-	-
MK13-GP501F-X	-	1,65	0	2,8	-	2,05	-	-

MAGNET SmCo5 5 x 4mm

Magnetic moment: $7,2 \times 10e-6Vs \times cm$

Sensor	D1		D3		D4		D5	
	up	to	up	to	up	to	up	to
MK15-B-X	8,5	12,5	6,4	10,4	8,6	11,3	2,3	5,2
MK15-C-X	8,0	9,8	5,5	7,5	8,2	9,3	1,8	3,5
MK15-D-X	7,1	9,1	4,4	6,8	7,2	8,5	0,8	3,1
MK15-E-X	6,2	8,1	2,7	5,3	6,4	8,0	-	1,7
MK15-F-X	5,9	8,1	2,5	5,7	6,1	8,3	-	2,0
MK15-G-X	5,4	8,3	2,2	5,6	5,7	8,2	-	2,0
MK16-B-X	9,2	12,1	7,8	13,2	8,8	11,8	3,5	9,5
MK16-C-X	8,1	10,9	6,5	10,6	8	10,4	2,2	6,2
MK16-D-X	7,7	10	5,6	9,1	7,4	9,7	1,8	4,7
MK16-E-X	7,3	9,6	5,4	8,5	6,8	9,4	1,4	3,9
MK16-F-X	6,9	9	4,3	7,3	6,4	8,6	-	3,1
MK17-B-X	8,8	10,9	9,2	10,6	8,5	10,5	4,6	5,6
MK17-C-X	8,5	10,3	8,1	10,1	7,7	9,9	3,9	5,3
MK17-D-X	7,5	9,6	7,5	9,6	6,9	9,3	3,6	4,9
MK17-E-X	7,2	9,1	7,2	8,9	6,7	8,7	3,4	4,6
MK21-1A66A-X	6,95	11,5	10,3	12,2	7,25	10,1	4,8	6,6
MK21-1A66B-X	4,65	10,2	7,9	10,7	6,35	9,2	3,1	5,2
MK21-1A66C-X	3,45	7,9	6	8,3	4,85	7,7	1,7	3,5
MK21-1A66D-X	2,65	6,7	4,9	6,4	3,35	6,2	0,8	2,1
MK21-1A66E-X	2,05	5,9	4,1	5,3	2,85	5,7	-	1,2
MK21-1A66F-X	1,25	5,3	3	4,5	2,25	5,1	-	-
MK21-GP501A-X	5,15	9	8,4	9,7	4,85	8,7	4,6	6,9
MK21-GP501B-X	4,55	8,6	7,4	9	4,15	8,3	2,7	5,2
MK21-GP501C-X	4,05	8	6,4	8	3,55	7,6	1,6	3,3
MK21-GP501D-X	3,55	7,5	5,6	7	3,05	7	1	2,2
MK21-GP501E-X	3,05	7	4,9	6,2	2,55	6,5	0,6	1,6
MK21-GP501F-X	2,55	6,5	4,3	5,5	2,05	5,9	0,3	1,1

MAGNET NdFeB N45 4 x 19mm

Magnetic moment: 30,8 x 10e-6Vs x cm

Sensor	D1		D3		D4		D5	
	up	to	up	to	up	to	up	to
MK15-B-X	17,1	21,5	10,5	15,8	11,4	16,1	7,6	12,2
MK15-C-X	15,6	18,4	8,9	11,9	10,8	13,7	6,8	9,1
MK15-D-X	14,5	16,8	7,6	10,7	9,8	12,3	5,5	8,2
MK15-E-X	12,5	15,7	5,8	8,8	8,3	10,9	3,3	6,6
MK15-F-X	11,9	16,4	5,3	9,1	8,0	11,5	3,1	7,2
MK15-G-X	11,2	16,0	4,7	9,1	7,4	11,2	2,9	6,8
MK16-B-X	17,1	22,7	12,7	19,5	12,3	16,8	9,8	15,4
MK16-C-X	15,2	20,1	10,3	15,9	10,6	14,8	7,9	12,7
MK16-D-X	14,2	18,6	9,5	13,9	10	13,5	7	11,2
MK16-E-X	13,3	17,7	8,6	13,3	9,3	12,6	6,6	10,3
MK16-F-X	12,5	16,5	7,4	11,5	8,7	11,9	6	9,3
MK17-B-X	15,8	19,5	13,6	16	11,2	13,4	10,8	13,1
MK17-C-X	14,9	18,2	12	15	10,6	12,7	10,1	12,3
MK17-D-X	13,4	17	11,3	14	9,4	11,9	9	11,5
MK17-E-X	12,7	15,9	8,9	12,8	8,9	11,2	8,6	10,8
MK21-1A66A-X	16,95	21,1	17,7	19,5	12,15	15	13,8	16
MK21-1A66B-X	13,45	20,2	15,8	18,1	11,05	13,9	10,5	14,2
MK21-1A66C-X	11,15	16,7	10,9	16,2	8,65	11,5	8,3	10,9
MK21-1A66D-X	9,95	14,4	9,4	11,3	6,65	9,5	6,7	8,7
MK21-1A66E-X	8,85	13,2	7,9	9,8	5,45	8,3	5,8	7,1
MK21-1A66F-X	7,25	12,1	6,5	8,3	3,85	6,7	4,3	6,2
MK21-GP501A-X	14,45	18,7	14,4	16	8,85	12,9	11,1	12,6
MK21-GP501B-X	13,25	17,9	12,9	15	7,85	12,3	9,8	11,7
MK21-GP501C-X	12,15	16,7	11,6	13,5	6,95	11,3	8,7	10,4
MK21-GP501D-X	11,15	15,6	10,4	12,2	6,15	10,4	7,7	9,3
MK21-GP501E-X	10,15	14,6	9,3	10,8	5,35	9,6	6,8	8,3
MK21-GP501F-X	9,25	13,6	8,4	9,9	4,65	8,8	6	7,4

MAGNET NdFeB 10 x 5 x 1,9

Magnetic moment: 10,3 x 10e-6Vs x cm

Sensor	D1		D3		D4		D5	
	up	to	up	to	up	to	up	to
MK15-B-X	10,2	13,9	8,5	13,0	9,6	13,9	2,9	6,4
MK15-C-X	9,3	11,7	7,6	10,2	9,8	11,9	2,6	4,5
MK15-D-X	8,8	10,7	6,4	9,3	9,2	10,7	1,5	3,7
MK15-E-X	7,9	9,8	4,3	7,6	8,1	10,1	<0	2,5
MK15-F-X	7,5	10,3	4,6	8,0	7,8	10,5	<0	3,0
MK15-G-X	7,0	10,0	4,0	7,7	7,3	10,3	<0	2,7
MK16-B-X	11	13,9	11,3	14,6	11,4	14,7	4,7	11,4
MK16-C-X	9,8	12,6	10	13,1	10	13,2	3,3	7,8
MK16-D-X	9	11,9	9,7	12,2	9,7	12,3	2,7	6,1
MK16-E-X	9	11,4	9	11,7	9	11,7	2	5,1
MK16-F-X	8,6	10,8	8,5	11	8,5	11,1	1,7	4,2
MK17-B-X	10,8	12,9	11,6	13,4	10	11,6	5,7	7,1
MK17-C-X	10,2	12,1	10,5	12,6	9,5	11,1	5,2	6,5
MK17-D-X	9	11,4	9,7	12,1	8,5	10,8	4,8	6,1
MK17-E-X	8,8	11,2	9,1	11,2	8,2	10,5	4,3	5,8
MK21-1A66A-X	6,55	10,7	14	15,8	10,15	13	5,2	7,8
MK21-1A66B-X	5,05	9,8	10,7	14,4	9,25	12,1	3	5,6
MK21-1A66C-X	3,45	8,3	8,7	11,1	8,15	11	1,1	3,4
MK21-1A66D-X	2,95	6,7	7,2	9,1	5,75	8,6	0,4	1,5
MK21-1A66E-X	2,15	6,2	6,5	7,4	5,35	8,2	-	0,8
MK21-1A66F-X	1,35	5,4	5,3	6,9	4,65	7,5	-	-
MK21-GP501A-X	5,35	9,2	11,3	12,7	7,65	11,6	5	8,5
MK21-GP501B-X	4,75	8,8	10,2	11,9	6,85	11	2,4	5,6
MK21-GP501C-X	4,15	8,2	9,2	10,8	6,15	10,3	1,1	3
MK21-GP501D-X	3,65	7,6	8,3	9,8	5,45	9,6	0,6	1,7
MK21-GP501E-X	3,15	7,1	7,5	8,9	4,85	8,9	-	1,2
MK21-GP501F-X	2,75	6,6	6,7	8,1	4,25	8,3	-	-

MAGNET HF 32/25 14,95 x 10 x 5

Magnetic moment: 28,8 x 10e-6Vs x cm

Sensor	D1		D3		D4		D5	
	up	to	up	to	up	to	up	to
MK15-B-X	15,4	20,1	14,0	20,1	14,7	19,8	6,4	10,4
MK15-C-X	14,1	17,3	12,9	15,7	14,3	17,2	5,2	7,8
MK15-D-X	12,5	15,3	10,8	14,3	12,8	15,0	4,2	6,9
MK15-E-X	11,1	14,3	8,7	12,3	11,4	14,3	2,0	5,1
MK15-F-X	10,8	14,8	8,2	13,2	10,9	14,9	1,9	5,4
MK15-G-X	10,1	14,6	7,6	12,7	10,2	14,6	1,7	5,0
MK16-B-X	15,4	19,8	15,8	22,7	15,6	20,7	7,7	13,8
MK16-C-X	13,7	17,8	13,5	19,4	13,9	18,4	5,9	10,7
MK16-D-X	13,2	16,6	12,5	17,5	13,2	17	5,3	9,1
MK16-E-X	12,2	16	11,4	16,4	12,2	16,2	4,5	8,2
MK16-F-X	11,6	14,9	10,5	15	11,4	15,1	3,9	7,1
MK17-B-X	14,4	16,6	17	20,1	14,3	17,3	9,1	11,3
MK17-C-X	13,6	15,7	15,7	19	13,6	16,2	7,9	10,6
MK17-D-X	12,3	15,1	14,8	17,9	12,6	15,2	7,3	9,7
MK17-E-X	12	14,6	13,9	16,7	11,8	14,9	6,8	8,7
MK21-1A66A-X	14,95	19,6	20,3	22,6	15,55	18,4	10,3	11,7
MK21-1A66B-X	11,75	18,2	16,1	20,7	14,45	17,3	7,9	10,7
MK21-1A66C-X	9,55	15	13,9	16,5	11,65	14,5	5,7	8,3
MK21-1A66D-X	8,45	12,8	12,1	14,3	9,75	12,6	4,7	6,1
MK21-1A66E-X	7,45	11,7	10,8	12,5	8,75	11,6	3,6	5,1
MK21-1A66F-X	6,25	10,7	9,1	11,2	7,95	10,8	2,9	4
MK21-GP501A-X	12,45	16,6	17,7	19,3	11,95	16	8,7	10,2
MK21-GP501B-X	11,35	15,9	16,2	18,3	10,85	15,4	7,3	9,3
MK21-GP501C-X	10,25	14,8	14,8	16,8	9,95	14,3	6,2	7,9
MK21-GP501D-X	9,35	13,7	13,5	15,4	9,05	13,4	5,2	6,8
MK21-GP501E-X	8,45	12,8	12,4	14,1	8,25	12,5	4,4	5,8
MK21-GP501F-X	7,55	11,9	11,3	13	7,45	11,7	3,8	5

MAGNET AlNiCo500 5,5 x 22mm

Magnetic moment: 36,6 x 10e-6Vs x cm

Sensor	D1		D3		D4		D5	
	up	to	up	to	up	to	up	to
MK21-1A66A-X	17,15	21,8	16,5	17,7	10,95	13,8	13,5	15,6
MK21-1A66B-X	13,55	20,4	12,2	16,9	9,75	12,6	10,2	13,9
MK21-1A66C-X	11,25	16,8	9,7	12,6	7,15	10	8	10,6
MK21-1A66D-X	9,75	14,5	8,1	10,1	5,35	8,2	6,3	8,4
MK21-1A66E-X	9,15	13	6,9	8,5	4,05	6,9	5,5	6,7
MK21-1A66F-X	7,85	12,4	6,2	7,3	3,65	6,5	4,3	5,9
MK21-GP501A-X	14,55	18,9	13,4	15	7,45	11,6	10,9	12,4
MK21-GP501B-X	13,35	18	11,7	14	6,35	10,9	9,5	11,5
MK21-GP501C-X	12,15	16,8	10,3	12,3	5,45	9,8	8,3	10,1
MK21-GP501D-X	11,05	15,6	9,1	10,9	4,55	8,9	7,3	8,9
MK21-GP501E-X	9,95	14,5	8	9,7	3,85	8	6,4	7,9
MK21-GP501F-X	9,05	13,4	7	7,6	3,15	7,3	5,6	7

ROUND MAGNET AlNiCo500 4,0 x 19mm

Magnetic moment: 14,8 x 10e-6Vs x cm

Sensor	D1		D3		D4		D5	
	up	to	up	to	up	to	up	to
MK21-1A66A-X	10,75	15,2	10	12,5	6,85	9,7	7,7	9,6
MK21-1A66B-X	7,95	14	7,1	10,4	5,35	8,2	5,7	8,1
MK21-1A66C-X	6,15	11,2	4,8	7,5	3,65	6,5	3,8	6,1
MK21-1A66D-X	5,15	9,4	3,8	5,2	1,85	4,7	2,7	4,2
MK21-1A66E-X	4,35	8,4	2,8	4,2	1,25	4,1	1,8	3,1
MK21-1A66F-X	3,45	7,6	1,9	3,2	0,65	3,5	1	2,2
MK21-GP501A-X	8,95	13	7,8	9,2	3,85	7,9	6,1	7,6
MK21-GP501B-X	7,95	12,4	6,5	8,4	2,95	7,3	4,9	6,7
MK21-GP501C-X	7,05	11,4	5,4	7,1	2,15	6,4	3,9	5,5
MK21-GP501D-X	6,25	10,5	4,6	6	1,45	5,6	3,1	4,5
MK21-GP501E-X	5,45	9,7	3,8	5,2	0,85	4,9	2,5	3,7
MK21-GP501F-X	4,75	8,9	3,2	4,4	0,35	4,3	2	3,1

ROUND MAGNET AlNiCo500 3,7 x 22mm

Magnetic moment: 19,8 x 10e-6Vs x cm

Sensor	D1		D3		D4		D5	
	up	to	up	to	up	to	up	to
MK21-1A66A-X	11,85	17,3	10,7	12,6	7,55	10,4	9,2	11
MK21-1A66B-X	9,15	15,3	8,6	11,1	6,05	8,9	7,1	9,6
MK21-1A66C-X	7,25	12,3	6,2	9	3,55	6,4	5	7,5
MK21-1A66D-X	6,35	10,7	4,7	6,6	2,15	5	3,8	5,4
MK21-1A66E-X	5,25	9,8	2,6	5,1	1,25	4,1	2,9	4,2
MK21-1A66F-X	4,15	8,7	2,4	3	0,65	3,5	2	3,3
MK21-GP501A-X	10,15	14,2	9,5	11,1	4,45	8,5	7,6	9
MK21-GP501B-X	9,15	13,6	8	10,1	3,35	7,9	6,4	8,2
MK21-GP501C-X	8,15	12,6	6,8	8,6	2,55	6,8	5,4	7
MK21-GP501D-X	7,25	11,6	5,7	7,4	1,75	6	4,5	6
MK21-GP501E-X	6,45	10,7	4,9	6,3	1,05	5,2	3,8	5,1
MK21-GP501F-X	5,75	9,9	4,1	5,5	0,55	4,5	3,2	4,4

MAGNET NdFeB N35 4 x 2mm


Magnetic moment: 3,39 x 10e-6Vs x cm

Sensor	D1		D3		D4		D5	
	up	to	up	to	up	to	up	to
MK21-1A66A-X	3,05	7,2	6,7	8,3	4,25	7,1	2,4	4,1
MK21-1A66B-X	1,55	6,3	4,8	7,1	3,55	6,4	0,8	2,8
MK21-1A66C-X	0,45	4,8	3,5	5,2	2,35	5,2	-	1,2
MK21-1A66D-X	0,05	3,7	2,9	3,9	1,45	4,3	-	-
MK21-1A66E-X	-	3,3	2,3	3,3	0,95	3,8	-	-
MK21-1A66F-X	-	2,7	1	2,7	0,45	3,3	-	-
MK21-GP501A-X	1,95	5,7	5,1	6,4	2,55	6,6	2,7	5,5
MK21-GP501B-X	1,45	5,3	4,2	5,7	2,05	6	-	3,4
MK21-GP501C-X	1,05	4,9	3,4	4,8	1,55	5,5	-	-
MK21-GP501D-X	0,65	4,5	2,8	4	1,05	5	-	-
MK21-GP501E-X	0,35	4,1	2,3	3,4	0,65	4,5	-	-
MK21-GP501F-X	-	3,7	1,9	2,9	0,35	4,1	-	-

PERMANENT MAGNETS

We offer the following types of permanent magnets:

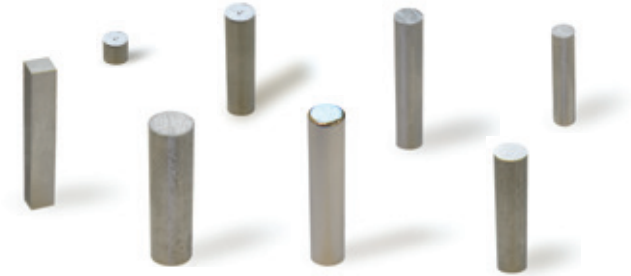
- AlNiCo (Aluminum Nickel, Cobalt, Iron and Titanium)
- SmCo (Samarium–Cobalt) & NdFeB (Neodymium) - rare earth
- Hf - hard ferrite

				
costs	Ferrite	AlNiCo	NdFeB	SmCo
energy (WxH max.)	Ferrite	AlNiCo	SmCo	NdFeB
working temperature	NdFeB	Ferrite	SmCo	AlNiCo
corrosion - resistant	NdFeB	SmCo	AlNiCo	Ferrite
opposing field - resistant	AlNiCo	Ferrite	NdFeB	SmCo
mechanical strength	Ferrite	SmCo	NdFeB	AlNiCo
temperature coefficient	AlNiCo	SmCo	NdFeB	Ferrite

These are some of our most widely used models, others available as required.

AlNiCo

- Ø2.5 x 12.7 mm
- Ø3.0 x 12.0 mm
- Ø4.0 x 19.0 mm
- Ø5.0 x 4.0 mm
- Ø5.0 x 20.0 mm
- Ø5.5 x 22.0 mm
- Ø7.5 x 27.0 mm
- 3.2 x 3.2 x 19.0 mm



Note: All dimensions are in mm. Please refer to the product datasheets on our website for full dimensions, specifications, tolerances, etc. We reserve the right to make any changes according to technological progress or further developments.

Rare Earth

NdFeB N35 Ø4 x 19 mm

NdFeB N35H Ø4 x 19 mm

NdFeB N45 Ø4 x 19 mm

NdFeB 250/175H Ø6 x 10 mm

NdFeB 250/175H 10 x 5 x 1.9 mm

SmCo5 Ø1.9 x 3 mm

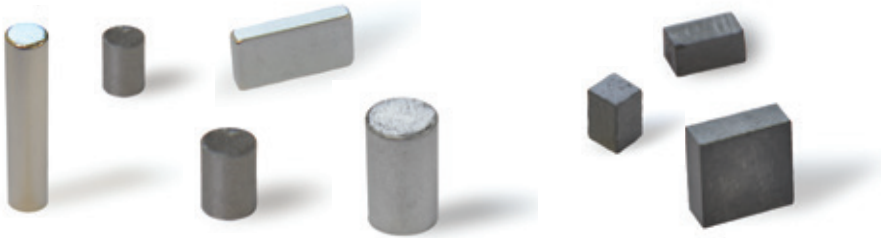
SmCo5 Ø3 x 4 mm

Hard Ferrite

28/26 2.6 x 2.6 x 4.0 mm

28/26 3.5 x 1.8 x 1.8 mm

28/26 6.7 x 6.7 x 2.7 mm





Contact Information:

Standex Electronics

World Headquarter
4150 Thunderbird Lane
Fairfield, OH 45014 USA

Standex Americas (OH)

(+1.866.782 .6339)
+1.866.STANDEX
info@standexelectronics.com

Standex Asia (Shanghai)

+86.21.37606000
salesasia@standexelectronics.com

Standex Europe (Germany)

+49.7733.9253.200
salesemea@standexelectronics.com



More about Reed Switch and Magnet Actuation, Magnet Interaction and Magnet Specifications you can find here:

standexelectronics.com/resources/magnet-interaction/