



*Products for Tomorrow*

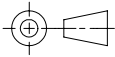
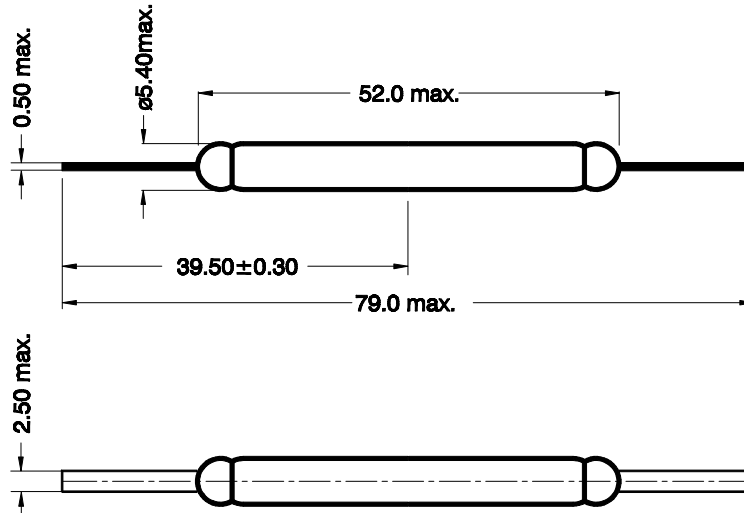
Headquarter Europe  
 MEDER electronic AG  
 Friedrich-List Strasse 6  
 D-78234 Engen-Welschingen  
 Tel.: +49(0)7733-9487-0  
 Fax: +49(0)7733-9487-32  
 eMail: [info@meder.com](mailto:info@meder.com)  
 Internet: [www.meder.com](http://www.meder.com)

Headquarter USA  
 MEDER electronic Inc.  
 766 Falmouth Rd  
 Mashpee, MA 02649  
 Phone: +1/ 508-539-0002  
 Fax: +1/ 508-539-4088  
 eMail: [salesusa@meder.com](mailto:salesusa@meder.com)

**Reed Switch: KSK-1A33-7580**

**Part Number: 2113307580**

**Dimensions (mm)**



Magnetic Characteristics	Conditions at 20°C	Min.	Typ.	Max.	Units
Pull-In Switch unmodified	Testcoil KMS-05	75		80	AT

Contact Data 33 (Form A/Dry)					
Contact material			Rh		
Contact Rating	Any combination of the switching voltage and current must not exceed the given rated power			120	WVA
Switching Voltage				250	V DC/AC
Switching Current	DC or Peak AC			3,0	A
Carry Current	DC or Peak AC			5,0	A
Static Contact Resistance (initial)	Measured with 40% overdrive			80	mΩ
Insulation Resistance	RH 45%	10 <sup>11</sup>			Ω
Breakdown Voltage		800			VDC
Operate Time, including Bounce	Measured with 40% overdrive			4,0	ms
Release Time	Measured with no suppression			0,2	ms
Capacitance			0,8		pF

Environmental Data					
Shock	½ sine wave, duration 11ms			50	g
Vibration	from 10 - 2000 Hz			50	g
Operating Temperature	10°C/min max. allowable	-40		150	°C
Storage Temperature	10°C/min max. allowable	-40		150	°C
Remarks					

Modification of Reed Switches					
Cutting the leads causes higher pull-in and drop-out values.					