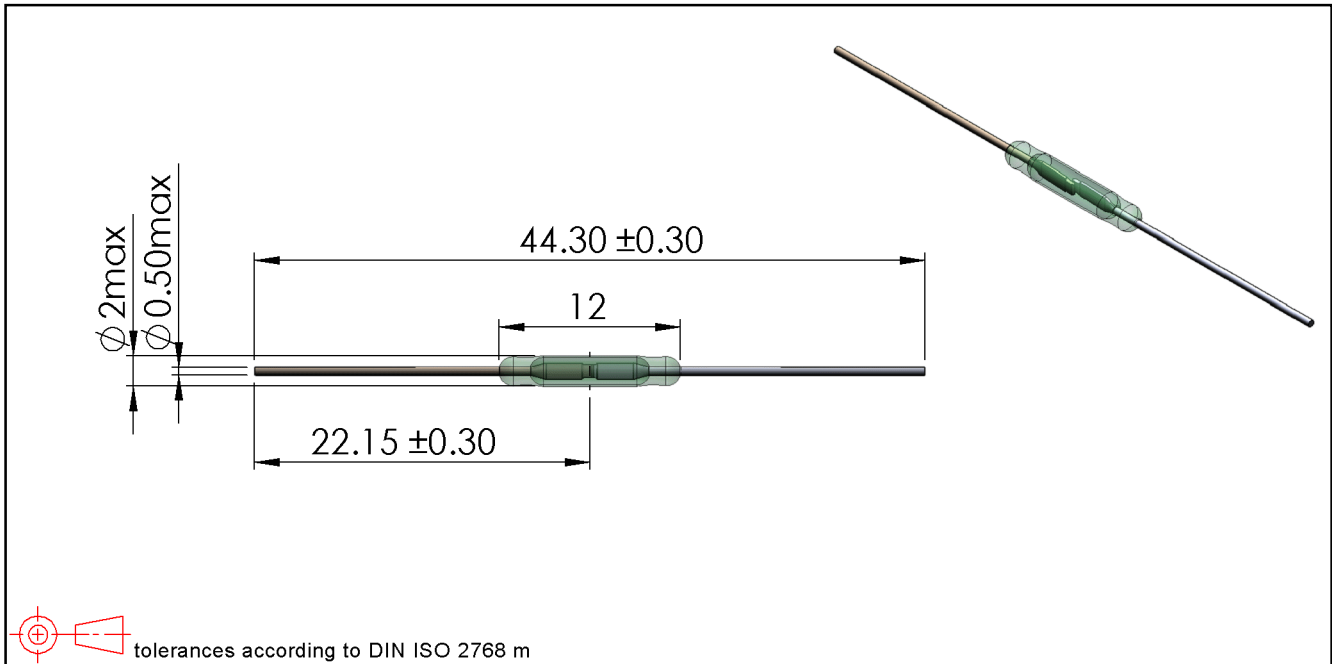


Preliminary Datasheet



Magnetic properties	Conditions	Min	Typ	Max	Unit
Pull-In excitation (Reference value)	Reed switch unmodified measured in coil- "define operation"	10		13	AT
Test-Coil	Reed switch unmodified	Coil 8			
Pull-In excitation (Reference value)	Reed switch unmodified measured in coil- "define operation"	11		17	AT
Test-Coil	Reed switch modified	KMS-01			

Contact data 46	Conditions	Min	Typ	Max	Unit
Contact-No.		46			
Contact-form		A			
Contact-material		Rhodium			
Contact rating	combination of switching voltage and current not to exceed their individual max.'s			10	W
Switching voltage	DC or Peak AC			200	V
Switching current	DC or Peak AC			0.5	A
Carry current	DC or Peak AC			1	A
Contact resistance static	Measured with 40% overdrive Start Value			150	mOhm
Contact resistance dynamic	Maximum value 1,5 ms after excitation Start Value			200	mOhm
Insulation resistance	RH <45 %, 100 V test voltage	1'000			GOhm
Breakdown voltage	according to IEC 255-5	225			VDC
Operate time incl. bounce	measured with 40% overdrive			0.7	ms
Release time	measured with no coil excitation			0.1	ms
Capacity	@ 10 kHz across open switch		0.3		pF

Environmental data	Conditions	Min	Typ	Max	Unit
Shock	1/2 sine, duration 11ms, in 3 axis			50	g
Vibration	from 10 - 2000 Hz			20	g
Ambient temperature		-20		130	°C
Storage temperature		-55		130	°C
Soldering temperature	wave soldering max. 5 sec.				