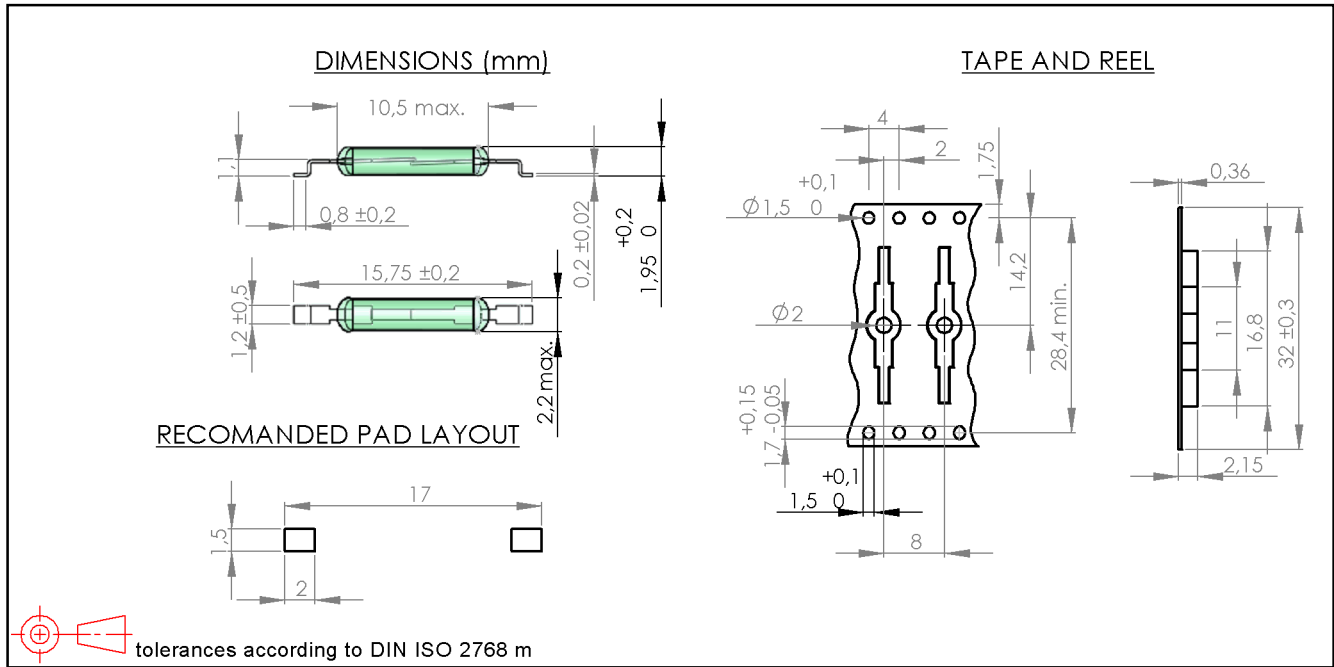


*Products for tomorrow...*



Magnetic properties	Conditions	Min	Typ	Max	Unit
Pull-In	at 20 °C	57		80	
Test equipment		KMS-11+AP51			
Pull-In in milliTesla (modified conta	MS150 - phys. caused tolerance +/- 0,1mT	2,2		3,4	mT
Test equipment		MS-150			

Contact data 35/1	Conditions	Min	Typ	Max	Unit
Contact - No.		35/1			
Contact rating				10	W
Switching voltage				350	V
Switching current				28,5	mA
Contact resistance static				150	mOhm
Breakdown voltage		450			VDC

Special Product Data	Conditions	Min	Typ	Max	Unit
Approval					

Environmental data	Conditions	Min	Typ	Max	Unit
Shock	1/2 sine wave duration 11ms			30	g
Vibration	from 10 - 2000 Hz			20	g
Operating temperature		-40		130	°C
Storage temperature		-55		130	°C
Washability		fully sealed			