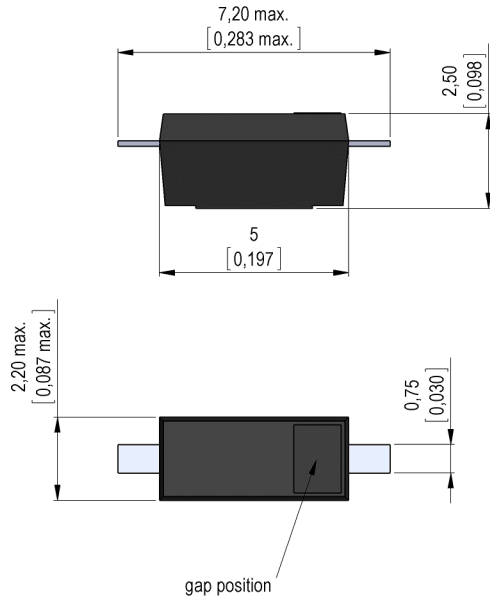


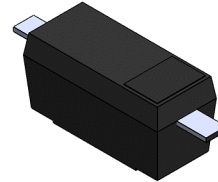
Dimensions mm[inch]

tolerances according to DIN ISO 2768-m
 Toleranzen gem. DIN ISO 2768-m

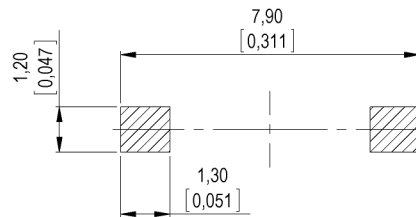


Isometric

Scale 5:1
 Maßstab 5:1

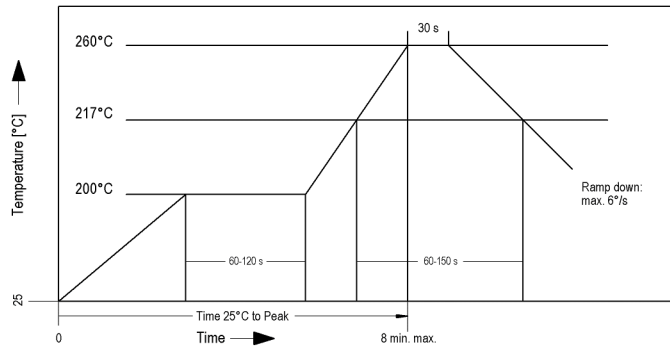


Recommended PCB Pad Layout



Solder Reflow Profile

reflow soldering conditions according to JEDEC norm J-STD 020D.1



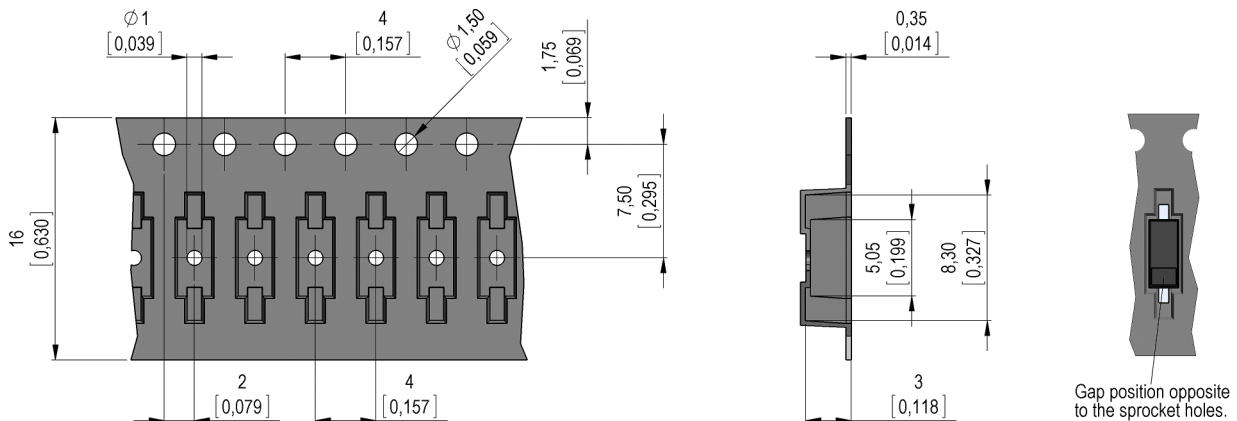
Notes:

Min. distance magnet to sensor: 1,0mm
 Mindestabstand Magnet zu Sensor: 1,0mm

In case of direct contact with the magnet, the sensor can change his sensitivity!
 Direkte Berührung mit dem Betätigungsmagnet kann die Empfindlichkeit verändern!

The north-pole of the magnet is on the side of the gap position.
 Der Nordpol des Magneten ist der Seite der Spaltposition.

Packaging





Europe: +49 / 7731 8399 0

| Email: info@standexmeder.com

Item No.:

USA: +1 / 508 295 0771

| Email: salesusa@standexmeder.com

9240100011

Asia: +852 / 2955 1682

| Email: salesasia@standexmeder.com

Item:

MK24-A-1-OE

Magnetic properties	Conditions	Min	Typ	Max	Unit
Pull-In	at 20°C	20		40	AT
Drop out	Reed switch unmodified at 20°C	15		38	AT
Test equipment		KMS-11 + AP74			
Pull-In in milliTesla (modified conta	MS150 - phys. caused tolerance +/- 0,1mT	1,6		4,1	mT
Test equipment		MS-150			

Contact data 04	Conditions	Min	Typ	Max	Unit
Contact - No.		04			
Contact-form		B - NC			
		Ruthenium			
Contact rating (< 10 AT)	Any DC combination of V & A not to exceed their individual max.'s			1	W
Switching voltage	DC or Peak AC			30	V
Switching current (< 10 AT)	DC or Peak AC			0,1	A
Carry current (< 10 AT)	DC or Peak AC			0,3	A
Contact resistance static(<10AT)	Measured with 40% overdrive Start value			250	mOhm
Insulation resistance	RH <45 %, 100 V test voltage	10			GOhm
Breakdown voltage (< 10 AT)	according to EN 60255-5	60			VDC

Special Product Data	Conditions	Min	Typ	Max	Unit
Housing material		mineral-filled epoxy			

Environmental data	Conditions	Min	Typ	Max	Unit
Shock	1/2 sine, duration 11ms, in 3 axis			15	g
Vibration	from 10 - 2000 Hz			10	g
Remark		Pick & place force should not exceed 25cN!			
Operating temperature		-40		115	°C
Storage temperature		-50		115	°C
Washability		fully sealed			
Remark		no direct touch between sensor and strong magnets!			

General data	Conditions	Min	Typ	Max	Unit
Packaging		T&R per 1000 pcs			

Modifications in the sense of technical progress are reserved

Designed at: 09.02.15 Designed by: THAUKE

Approval at: 26.02.15 Approval by: JHEYDER

Last Change at: 12.01.16 Last Change by: THAUKE

Approval at: 12.01.16 Approval by: THAUKE

Version: 2