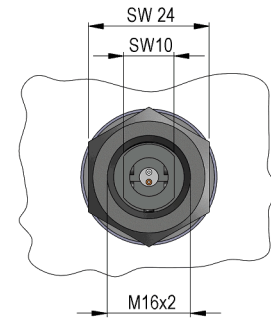
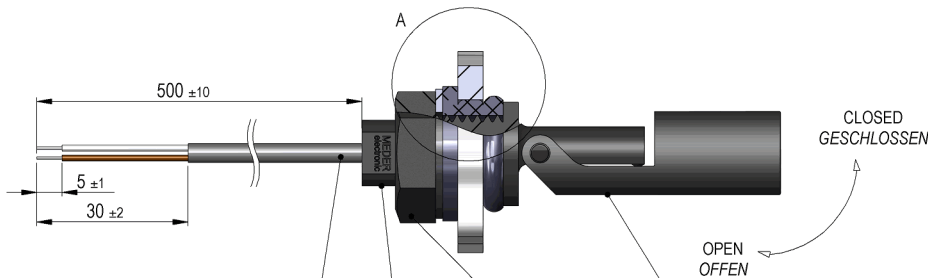
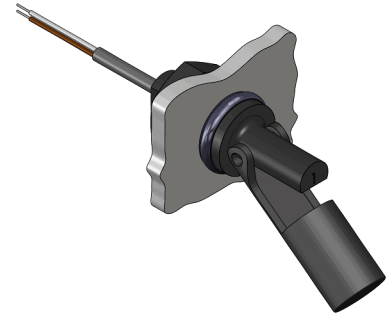
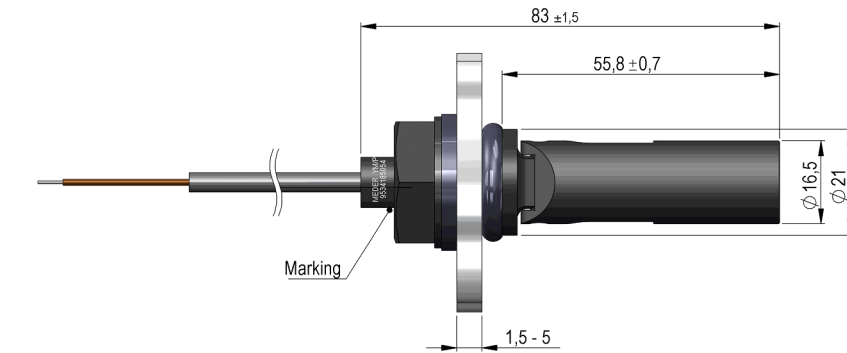


Dimensions mm[inch]
tolerances acc. to DIN ISO 2768-m
Toleranzen gem. DIN ISO 2768-m

Isometric
Scale 1:2
Maßstab 1:2



Cable

round cable LIYY 2x0,25 mm², grey
colour of wires: white and brown
ends tinned
Rundkabel LIYY 2x0,25 mm², grau
Aderfarben: weiss und braun
Enden verzinkt

Stem

PA, black
Schaft PA, schwarz

Nut

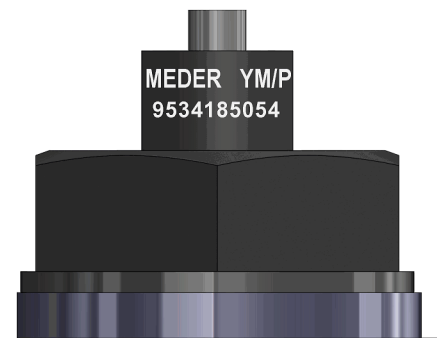
PA, black
Mutter PA, schwarz

Float

PA, black
Schwimmer PA, schwarz

Marking

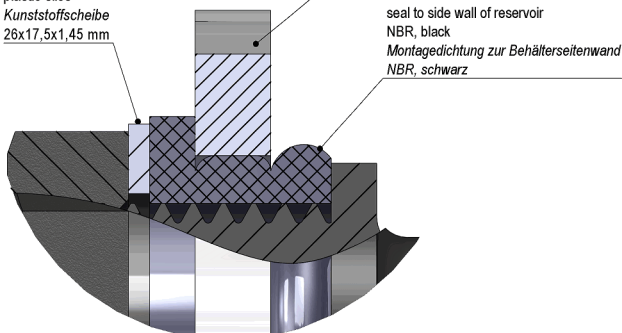
according to EN60062/factory code
gem. EN60062/Fertigungsstätte



Wall of reservoir
thickness 1,5 - 5 mm
mounting hole max. \varnothing 22 mm
Wandstärke 1,5 - 5 mm
Montagebohrung max. \varnothing 22 mm

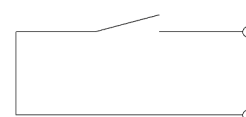
plastic slice
Kunststoffscheibe
26x17,5x1,45 mm

seal to side wall of reservoir
NBR, black
Montagedichtung zur Behälterseitenwand
NBR, schwarz



DETAILA (2 : 1)

Schematic





Europe: +49 / 7731 8399 0

| Email: info@standexmeder.com

USA: +1 / 508 295 0771

| Email: salesusa@standexmeder.com

Asia: +852 / 2955 1682

| Email: salesasia@standexmeder.com

Item No.:

9534185054

Item:

LS03/DL-1A85-PA-500W

LS03/DL-PA-BV85054

Special Product Data	Conditions	Min	Typ	Max	Unit
Contact rating	Any DC combination of V & A not to exceed their individual max.'s			100	W
Switching voltage	DC or Peak AC			250	V
Carry current	DC or Peak AC			2,5	A
Switching current	DC or Peak AC			1	A
Sensor-resistance	measured with 40% overdrive Sensor deactivated			250	mOhm
Housing material				Polyamid	
Case colour				black	
Sealing compound				Polyurethan	

Environmental data	Conditions	Min	Typ	Max	Unit
Operating temperature	cable not moved	-30		80	°C
Operating temperature	cable moved	-5		80	°C
Storage temperature		-30		80	°C
Safety class	DIN EN 60529			IP68	

Cable specification	Conditions	Min	Typ	Max	Unit
Cable type				round cable	
Cable material				PVC	
Cross section				0,25 sq-mm	

General data	Conditions	Min	Typ	Max	Unit
Mounting advice				over 5m cable, a resistor is recommended.	

Modifications in the sense of technical progress are reserved

Designed at: 21.07.09 Designed by: WKOVACS

Approval at: 22.07.09 Approval by: DKUECHLER

Last Change at: 12.09.17 Last Change by: WKOVACS

Approval at: 02.11.17 Approval by: DKUECHLER

Rev. No.: 04