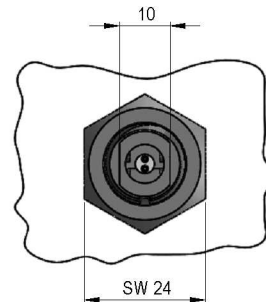
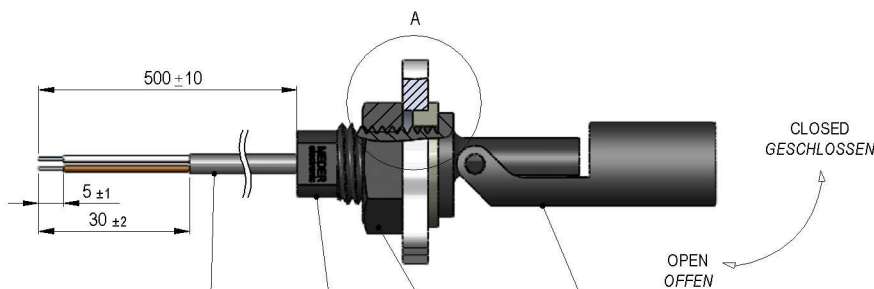
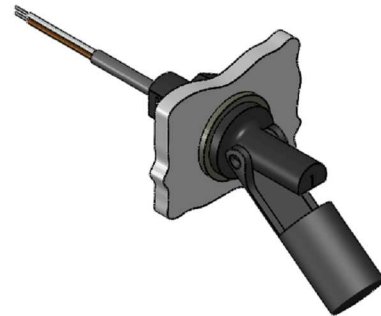
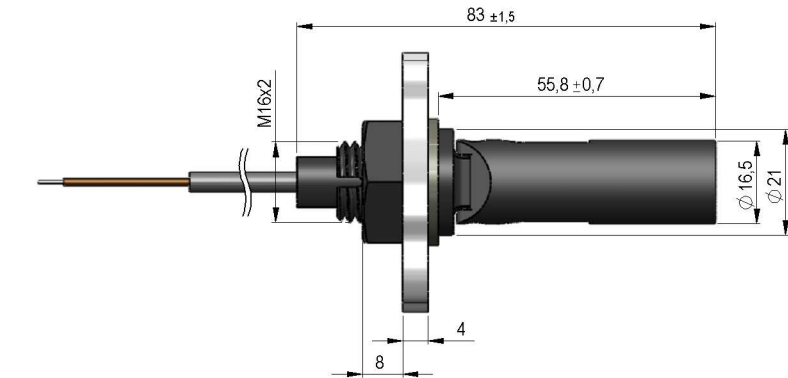


Dimensions mm[inch]
tolerances acc. to DIN ISO 2768-m
Toleranzen gem. DIN ISO 2768-m

Isometric
Scale 1:2
Maßstab 1:2



Cable

round cable LIYY 2x0,25 mm², grey
colour of wires: white and brown
ends tinned
Rundkabel LIYY 2x0,25 mm², grau
Aderfarben: weiss und braun
Enden verzinkt

Stem

PA, black
Schaft PA, schwarz

Nut

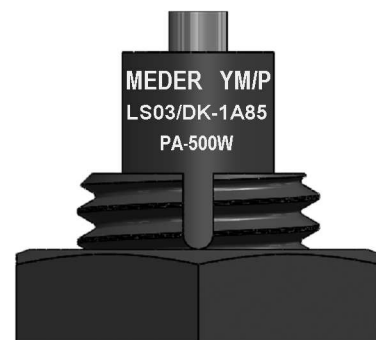
PA, black
Mutter PA, schwarz

Float

PA, black
Schwimmer PA, schwarz

Marking

according to EN60062/factory code
gem. EN60062/Fertigungsstätte

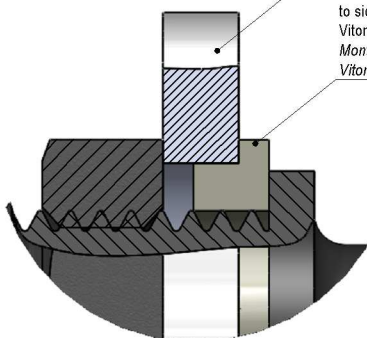


Wall of reservoir

thickness: min. 4 mm
mounting hole: max. Ø 22 mm
Stärke: min. 4 mm
Montagebohrung: max. Ø 22 mm

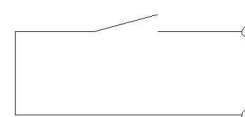
Seal

to side wall of reservoir
Viton (FKM), black
Montgedichtung zur Seitenwand
Viton (FKM), schwarz



DETAILA (2:1)

Schematic





Europe: +49 / 7731 8399 0 | Email: info@meder.com
USA: +1 / 508 295 0771 | Email: salesusa@meder.com
Asia: +852 / 2955 1682 | Email: salesasia@meder.com

Item No.:
9534196854
Item:
LS03/DK-1A85-PA-500W

Contact Data 85	Conditions	Min	Typ	Max	Unit
Contact rating	Any DC combination of V & A not to exceed their individual max.'s			100	W
Switching voltage	DC or Peak AC			250	V
Switching current	DC or Peak AC			1	A
Carry current	DC or Peak AC 100% Duty Cycle			2,5	A

Special Product Data	Conditions	Min	Typ	Max	Unit
Number of contacts			1		
Contact - form			A - NO		
Sensor-resistance				250	mOhm
Housing material LS			Nylon/Polyamid		
Material of float			Polyamid/Nylon		
Case colour			black		
Sealing compound			Polyurethan		
Reach / RoHS conformity			yes		

Environmental data	Conditions	Min	Typ	Max	Unit
Shock				50	g
Vibration	from 10 - 1200 Hz			20	g
Operating temperature		-30		70	°C
Operating temperature		-5		70	°C
Storage temperature		-30		70	°C
Safety class			IP68		

Cable specification	Conditions	Min	Typ	Max	Unit
Cable type			round cable		
Cable material			PVC		
Cross section			0,25 sq-mm		

General data	Conditions	Min	Typ	Max	Unit
Mounting advice			over 5m cable, a resistor is recommended.		
Tightening torque				3	Nm

Modifications in the sense of technical progress are reserved

Designed at: 26.02.13 Designed by: WKOVACS
Last Change at: Last Change by:

Approval at: 26.02.13 Approval by: DKUECHLER
Approval at: Approval by:

Version: 01