

**Dimensions mm[inch]**  
tolerances acc. to DIN ISO 2768-m  
Toleranzen gem. DIN ISO 2768-m

**Isometric**  
Scale 1:2  
Maßstab 1:2

**Terminals**  
ends tinned  
Enden verzinkt

**Cable**  
UL/CUL-LIYY AWG26, grey, Style 2464  
colour of wires: white and brown  
UL/CUL-LIYY AWG26, grau, Style 2464  
Aderfarben: weiss und braun

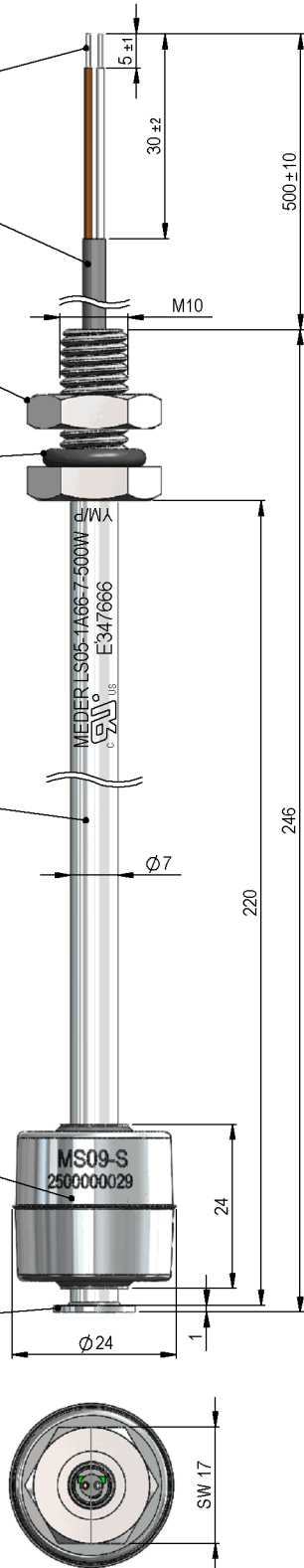
**Nut**  
M10, DIN 439 B, stainless steel, ws 17  
M10, DIN 439 B, Edelstahl SW 17

**O-ring**  
NBR, black  
NBR, schwarz

**Stem**  
stainless steel  
Edelstahl

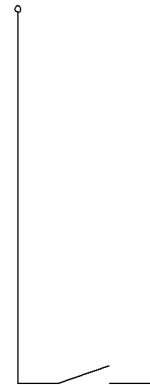
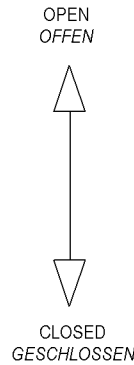
**Float MS09-S**  
stainless steel  
type and p/n show also  
the position of magnet in the float  
Edelstahl  
Typ und Art.-Nr. markieren auch  
die Magnetposition im Schwimmer

**Stopper slice**  
stainless steel  
Stopperscheibe, Edelstahl



**Switching scale**

**Schematic**



**Marking**  
according to EN60062/factory code  
gem. EN60062/Fertigungsstätte





Europe: +49 / 7731 8399 0

| Email: info@standexmeder.com

Item No.:

USA: +1 / 508 295 0771

| Email: salesusa@standexmeder.com

**9557661054**

Asia: +852 / 2955 1682

| Email: salesasia@standexmeder.com

Item:

**LS05-1A66-7-500W**

**stainless steel**

Special Product Data	Conditions	Min	Typ	Max	Unit
Contact rating	Any DC combination of V & A not to exceed their individual max.'s			10	W
Switching voltage	DC or Peak AC			180	V
Carry current	DC or Peak AC			1,25	A
Switching current	DC or Peak AC			0,5	A
Sensor-resistance	measured with 40% overdrive			420	mOhm
Approval		UL listed materials			
Approval		UL-File Nr. NKPZ2. E347666			
Approval		UL-File Nr. NKPZ8. E347666			
Material of float		stainless steel			
Housing material LS		stainless steel			
Sealing compound		Polyurethan			

Environmental data	Conditions	Min	Typ	Max	Unit
Operating temperature	cable not moved	-30		80	°C
Operating temperature	cable moved	-5		80	°C
Storage temperature		-30		80	°C
Safety class	DIN EN 60529	IP68			

Cable specification	Conditions	Min	Typ	Max	Unit
Cable type		round cable			
Cable material		PVC			
Cross section		AWG 26			

General data	Conditions	Min	Typ	Max	Unit
Mounting advice		over 5m cable, a resistor is recommended.			
Tightening torque				0,5	Nm

Modifications in the sense of technical progress are reserved

Designed at: 01.06.11 Designed by: WKOVACS

Approval at: 01.06.11 Approval by: DKUECHLER

Last Change at: 04.07.14 Last Change by: WKOVACS

Approval at: 04.07.14 Approval by: DKUECHLER

Version: 04